

NETWORK CAMERA

User Manual

V2.0.0

Thank you for purchasing our product. If there are any questions, or requests, please do not hesitate to contact the dealer.

This manual applies to **DS-2CD802/812/892PF(NF)(-E)(-W), DS-2CD832F(-E), DS-2CD802/812/892P(N)-IR1(IR3)(IR5), DS-2CD702/712/792PF(NF)(-E), DS-2CD732F(-E) series Network Camera**

This manual may contain several technical incorrect places or printing errors, and the content is subject to change without notice. The updates will be added to the new version of this manual. We will readily improve or update the products or procedures described in the manual.

DISCLAIMER STATEMENT

“Underwriters Laboratories Inc. (“UL”) has not tested the performance or reliability of the security or signaling aspects of this product. UL has only tested for fire, shock or casualty hazards as outlined in UL’s Standard(s) for Safety, UL60950-1. UL Certification does not cover the performance or reliability of the security or signaling aspects of this product. UL MAKES NO REPRESENTATIONS, WARRANTIES OR CERTIFICATIONS WHATSOEVER REGARDING THE PERFORMANCE OR RELIABILITY OF ANY SECURITY OR SIGNALING RELATED FUNCTIONS OF THIS PRODUCT.”



Safety Instruction

These instructions are intended to ensure that the user can use the product correctly to avoid danger or property loss.

The precaution measure is divided into 'Warnings' and 'Cautions':

Warnings: Serious injury or death may be caused if any of these warnings are neglected.

Cautions: Injury or equipment damage may be caused if any of these cautions are neglected.

	
Warnings Follow these safeguards to prevent serious injury or death.	Cautions Follow these precautions to prevent potential injury or material damage.



Warnings

1. In the use of the product, you must strictly comply with the electrical safety regulations of the nation and region.
2. Source with AC 24V or DC 12V according to the IEC60950—1 standard. Please refer to technical specifications for more details.
3. Do not connect several devices to one power adapter as an adapter overload may cause over-heating and can be a fire hazard.
4. Please make sure that the plug is firmly inserted into the power socket.
5. When the product is installed on a wall or ceiling, the device should be firmly fixed.
6. If smoke, odor, or noise rise from the device, turn off the power at once and unplug the power cable, then contact the service center.
7. If the product does not work properly, please contact your dealer or the nearest service center. Never attempt to disassemble the camera yourself. (We shall not assume any responsibility for problems caused by unauthorized repair or maintenance.)

**Notice:**

1. Make sure the power supply voltage is correct before using the camera.
2. Do not drop the camera or subject it to physical shock.
3. Do not touch CCD (Charge Coupled Device) modules with fingers. If cleaning is necessary, use a clean cloth with a bit of ethanol and wipe it gently. If the camera will not be used for an extended period of time, put on the lens cap to protect the CCD from dirt.
4. Do not aim the camera at the sun or extra bright places. A blooming or smear may occur otherwise (which is not a malfunction however), and affecting the endurance of CCD at the same time.
5. The CCD may be burned out by a laser beam, so when any laser equipment is being used, make sure that the surface of the CCD will not be exposed to the laser beam.
6. Do not place the camera in extremely hot or cold temperatures (the operating temperature should be between $-10^{\circ}\text{C} \sim +60^{\circ}\text{C}$), dusty or damp locations, and do not expose it to high electromagnetic radiation.
7. To avoid heat accumulation, good ventilation is required for a proper operating environment.
8. Keep the camera away from liquids.
9. While shipping, the camera should be packed in its original packing, or packing of the same texture.
10. Regular part replacement: a few parts (e.g. electrolytic capacitor) of the equipment should be replaced regularly according to their average life time. The average time varies because of differences between operating environment and usage history, so regular checking is recommended for all users. Please contact with your dealer for more details.

Index

Chapter 1 Introduction.....	1
1.1 Network camera Functions and Features.....	1
1.2 Applications.....	2
Chapter 2 Installation.....	3
2.1 Panels Description.....	3
2.1.1 Side Elevation of the Camera.....	3
2.1.2 Rear Panel Description.....	4
2.2 Product Installation.....	7
2.2.1 Box camera Installation.....	7
2.2.2 Dome camera Installation.....	8
2.2.3 Topological graph of network camera.....	9
2.3 Client Software Installation.....	10
2.4 Special Client Software Installation for Wireless camera.....	12
Chapter 3 Parameter Configuration.....	17
3.1 Network Camera access model overview.....	17
3.1.1 Wireless Network (Only “-w” series support).....	17
3.1.2 Wired network.....	18
3.2 Visit Network Camera in LAN.....	18
3.3 Configuration via Web browser.....	19
3.4 Configuration via Client Software.....	22
3.5 Wireless Network Camera Access.....	28
3.6 Visit Network Camera in Internet.....	30
3.6.1 Visit network camera with static IP.....	30
3.6.2 Visit network camera with dynamic IP.....	31
Appendix 1 SADP Introduction.....	35
Appendix 2 Port Map.....	37
Appendix 3 Pin Definition.....	39
Appendix 4 Product Specification.....	40
DS-2CD802/812/892/PF(NF)(-E)(-W).....	40
Specification.....	40
Dimension.....	41
DS-2CD832F(-E).....	42
Specification.....	42
Dimension.....	43
DS-2CD802/812/892P(N)-IR1(IR3)(IR5).....	44
Specification.....	44
Dimension.....	45
DS-2CD702/712/792PF (NF)(-E).....	46
Specification.....	46
Dimension.....	47
DS-2CD732F(-E).....	48
Specification.....	48

Dimension..... 49

Chapter 1 Introduction

Network camera is a kind of embedded digital surveillance product that combines the features of both traditional analog camera and net DVS (Digital Video Server). Due to the embedded Linux operation system and the latest Davinci hardware platform of TI, the system operates with high scheduling efficiency. Furthermore, the firmware is burned in the flash, which makes the product small, reliable and highly stable.

1.1 Network camera Functions and Features

Functions:

- ◆ Network Function :support the TCP/IP protocols(TCP/IP,HTTP,DHCP,DNS,RTSP RTCP,PPPoE, Furthermore,FTP,SMTP,NTP,SNMP addible),and IE browsing.
- ◆ Heartbeat Function: The server can acquire real time operating performance of the network camera through the heartbeat function.
- ◆ Alarm Function: The product includes 1 channel of alarm signal input and 1 channel of alarm on/off output, and supports motion detection, video missing, mask alarm and external alarm input.(Get details in Specification)
- ◆ Voice Talking: Support bidirectional voice talking and monomial voice broadcasting.
- ◆ User Management: Support multilevel right management. The administrator can create up to 15 separate users with different right levels, which highly improves the system security.

Compression Functions:

- ◆ Support 1 channel video signal and 25fps in Pal (704 × 576) ,30fps in NTSC (704 × 480) real time H.264 video Encoding standard compression, which supports both variable bit rate and variable frame rate; besides, you can self-define both the video quality and its compressed bit rate.
- ◆ Support resolution of 4CIF (PAL:704 × 576, NTSC:704 × 480), DCIF (PAL:528 × 384, NTSC:528 × 320), 2CIF (PAL:704 × 288, NTSC:704 × 240), CIF (PAL:352 × 288, NTSC:352 × 240),QCIF (PAL:176 × 144, NTSC:176 × 120).

Remote Control:

- ◆ The product offers a 10M/100M self-adaptive Ethernet interface.
- ◆ Support TCP / IP, HTTP, DNS, RTP / RTCP, PPPoE protocols.
- ◆ Set the parameters, browse real time videos or check the camera performance through software or IE, and get external alarming and store the compressed bit rate through network.
- ◆ Support remote upgrades and maintenance.
- ◆ RS-485 supports monomial transparent channel function so that clients on remote PC can control the serial devices.
- ◆ Support NAS storage.

1.2 Applications

This camera is ideal for remote control network applications. E.g.:

1. Network surveillance for ATM, bank counters, supermarkets and factories.
2. Remote surveillance for nursing homes, kindergartens and schools.
3. AI janitors.
4. AI building/district management systems.
5. Self-service systems of power plants.
6. Outdoor monitoring systems for bridges, tunnels and crossroad traffic.
7. Pipelining and warehouse monitoring.
8. 24-hour monitoring for road traffic.
9. Remote monitoring of forest and water resources.
10. Surveillance for airdrome, railway station, bus stop etc.

Chapter 2 Installation

Notes:

1. Please check if all the items on the package list have been included with your camera.
2. Read the following contents carefully before the installation.
3. Make sure that all the related equipment is power-off during the installation.
4. Check the power supply to prevent any damage caused by mismatching problems.
5. If the product does not operate properly, please contact your dealer or the nearest service center. Never attempt to disassemble the camera yourself. Users are responsible for any problem caused by modification or repairing without authorization.

2.1 Panels Description

2.1.1 Side Elevation of the Camera

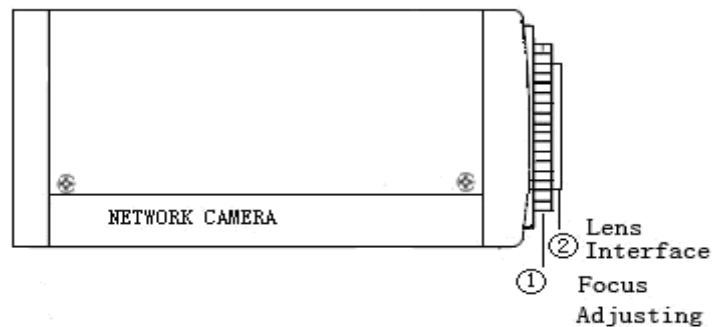


Fig 2.1.1 Side Elevation of DS-2CD832F(-E) network camera

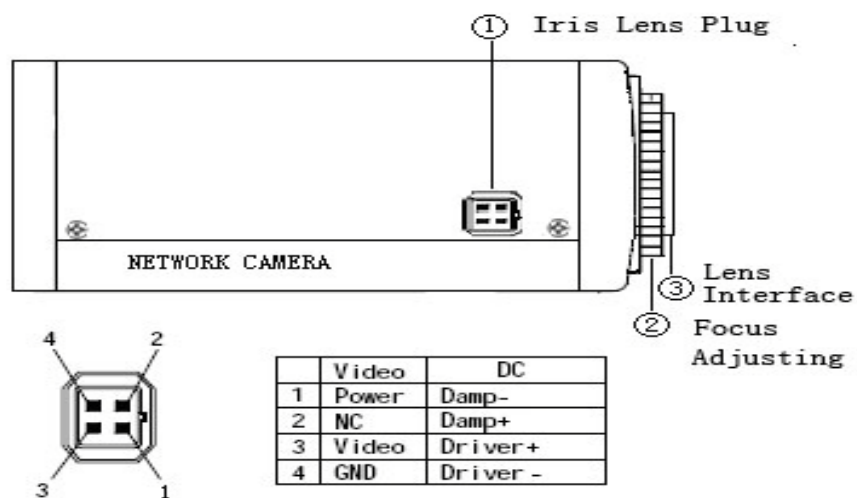


Fig 2.1.2 Side Elevation of DS-2CD802, DS-2CD812, DS-2CD892 series camera

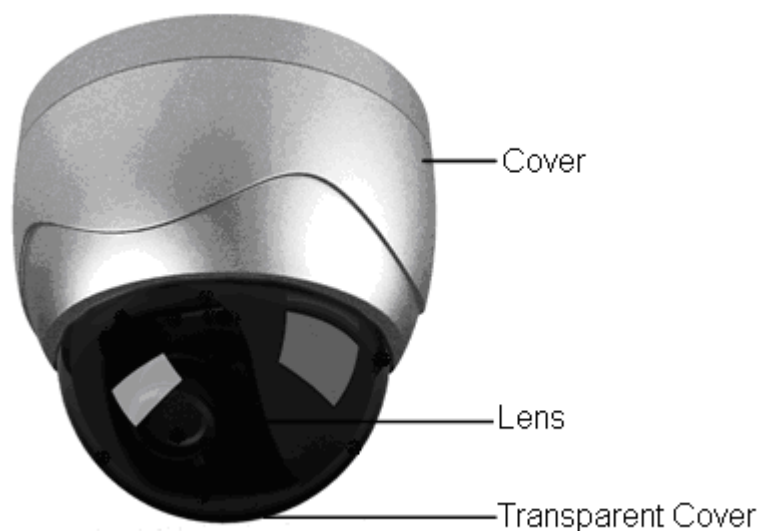


Fig 2.1.3 Side Elevation of DS-2CD702,DS-2CD712,DS-2CD732,DS-2CD792 series camera

2.1.2 Rear Panel Description

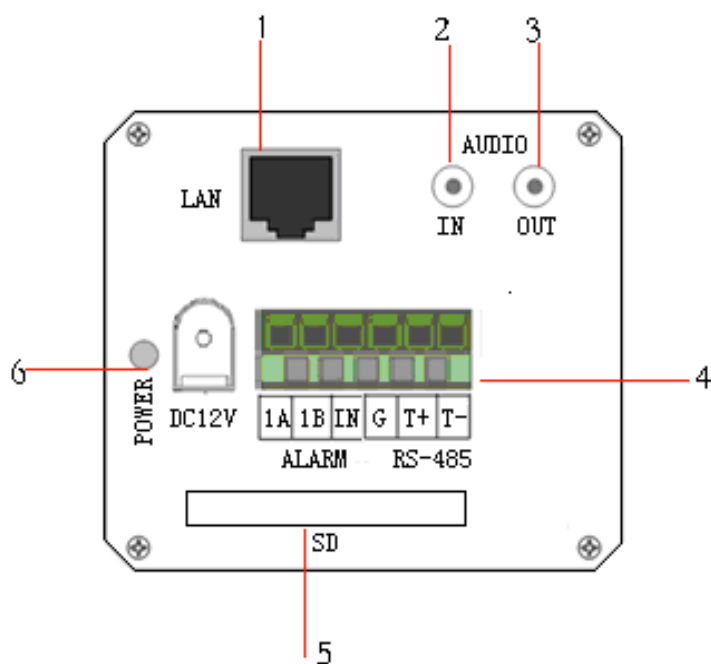


Fig. 2.1.4 Rear Panel of DS-2CD832F(-E)

1. Standard Ethernet (UTP) RJ45 (10M/100M self-adaptive).
2. 1 channel voice talk input,3.5mm audio interface, 2.0~2.4Vp-p, 1kΩ.
3. 1 channel voice talk output, 3.5mm audio interface, electric line level, 600Ω.
4. 1 channel alarm output (1A 1B). 1 channel alarm input signal (IN,G). RS-485 bus interface (T+ T-).
5. SD card slot (Support SDHC).

6. Power supply interface of 12VDC, ±10%.

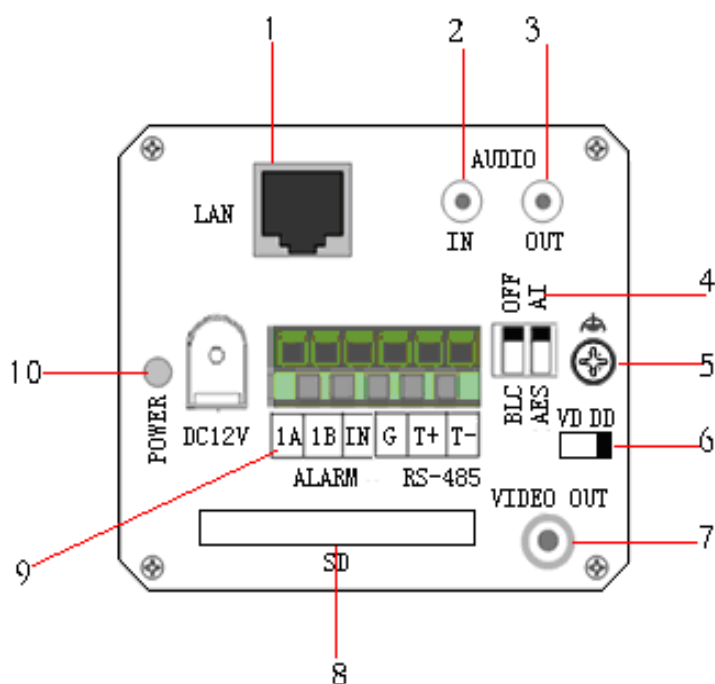
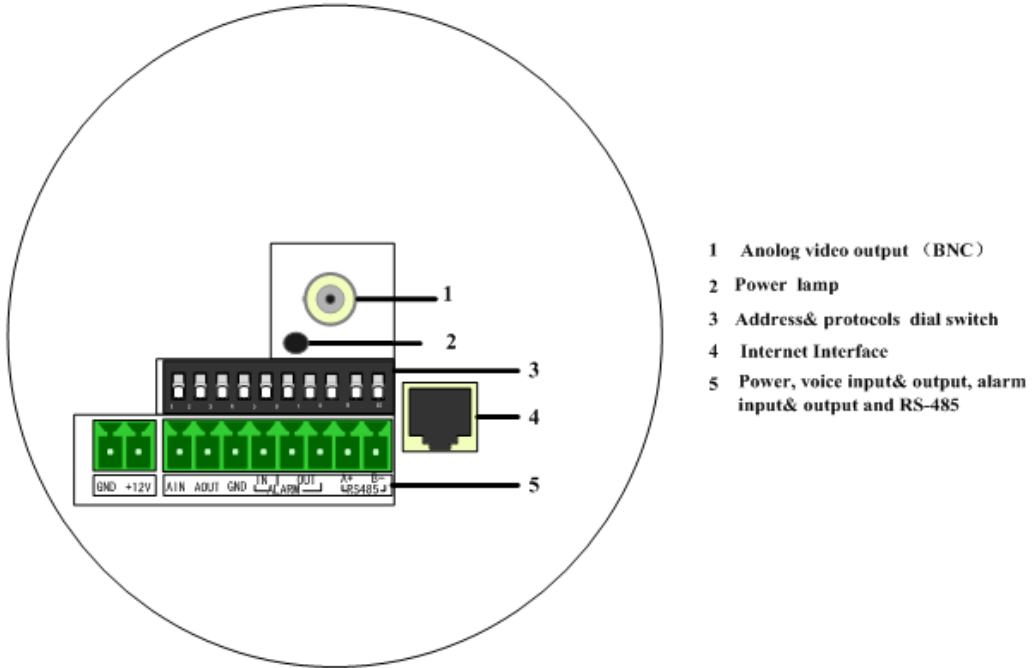



Fig. 2.1.5 Rear Panel of DS-2CD802, DS-2CD812 , DS-2CD892 series

1. Standard Ethernet (UTP) RJ45 (10M/100M self-adaptive).
2. 1 channel voice talk input,3.5mm audio interface, 2.0~2.4Vp-p, 1kΩ.
3. 1 channel voice talk output, 3.5mm audio interface, electric line level, 600Ω.
4. BLC, AI, AES dial switch.
5. GND.
6. VD(Video Drive), DD(Direct current Drive).
7. Video Output port.
8. SD card slot.
9. alarm output (1A 1B); RS-485 bus interface (T+ T-) ; Alarm input signal (IN,G).
10. Power supply interface of 12VDC, ±10%.



- 1 Analog video output (BNC)
- 2 Power lamp
- 3 Address& protocols dial switch
- 4 Internet Interface
- 5 Power, voice input& output, alarm input& output and RS-485

Fig. 2.1.1.7 Rear Panel of DS-2CD702, DS-2CD712, DS-2CD732, DS-2CD792 series

Address& protocols dial switch, define for dial switch: , from 1 to 5 dial switch function as follows:

Switch \ Function	ON	OFF
1	SHARP	SOFT
2	AES	AI
3	BLC	OFF
4	FL	ON
5	NAGC	SAGC

Notices: There are invalid dial switches for DS-2CD702, DS-2CD712, DS-2CD792, DS-2CD732 series from 6 to 10;

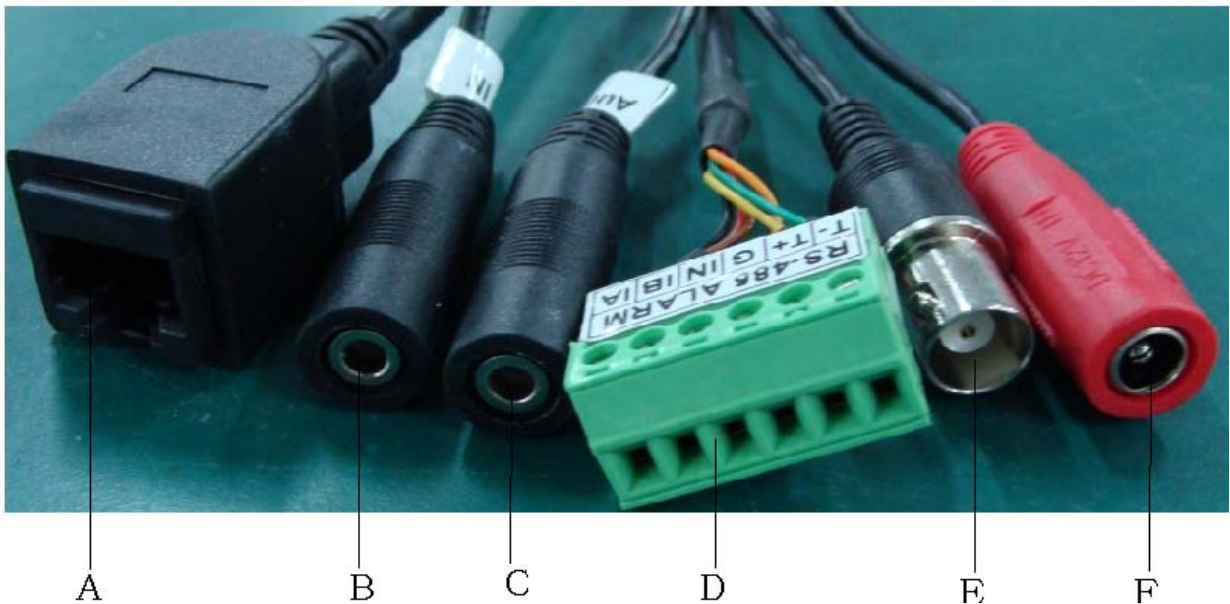


Fig 2.1.8 Rear Panel of DS-2CD802/812/892P-IR1/3/5 series camera

1. A means UTP interface;
2. B means voice input interface;
3. C means voice output interface;
4. D means, T+,T- means RS-485 interface; G, IN means alarm input interface; 1A,1B means alarm output interface;
5. E means BNC video output interface;
6. F means power supply input interface;

2.2 Product Installation

2.2.1 Box camera Installation

Box camera can be fixed in both metope and ceiling. Customers can choose whichever way according to their specific needs. Please follow the steps below:(Take fixing in ceiling as an example, fixing in metope follows the same rule).Choose the fixing method and fix the camera bracket accordingly. If it is metope, then you need to fix the expand bolt (note: the mounting hole of the expand bolt should align with the bracket) before fixing the bracket. If the wall surface is wooden, the first step can be ignored and you can use the self-tapping screw to directly fix the bracket. Please note that the metope on which the camera is fixed should be able to bear at least three times the weight of the bracket and the camera.

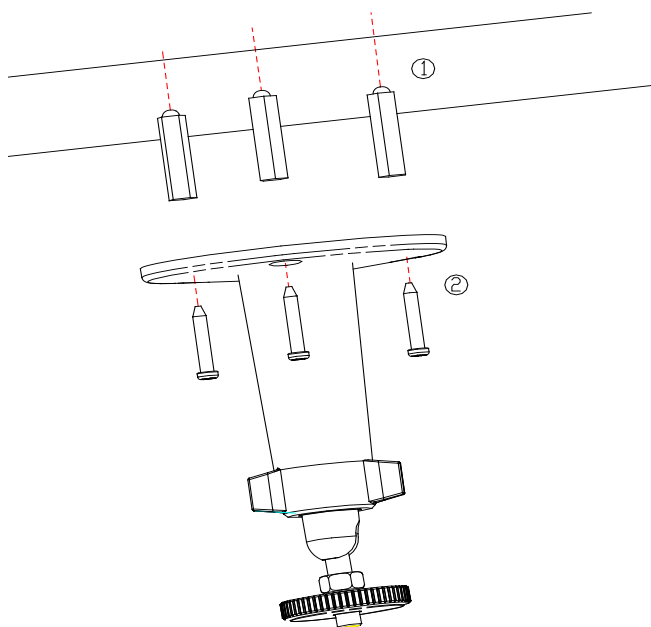


Fig 2.2.1 Fix Ceiling Bracket

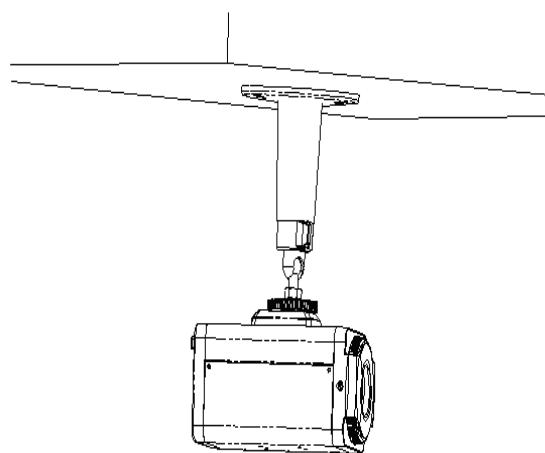


Fig 2.2.2 Fix Camera

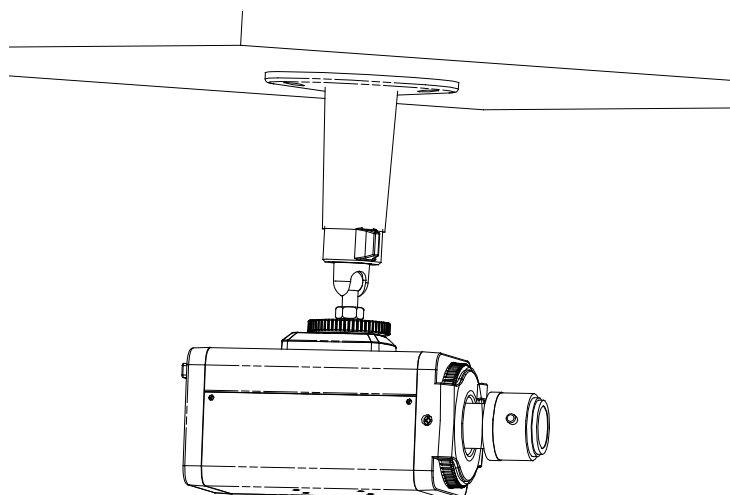


Fig 2.2.3 Fix Lens

2.2.2 Dome camera Installation

Dome camera can be installed include hold equipment, ceiling mounted, cylinders and other styles. Client can be installed in accordance with their own ways to achieve the installation. Please according the following specific steps to install (take ceiling mounted as example), when the wall is wood, use the self-tapping screws to fix the ceiling plate to the wall surface.

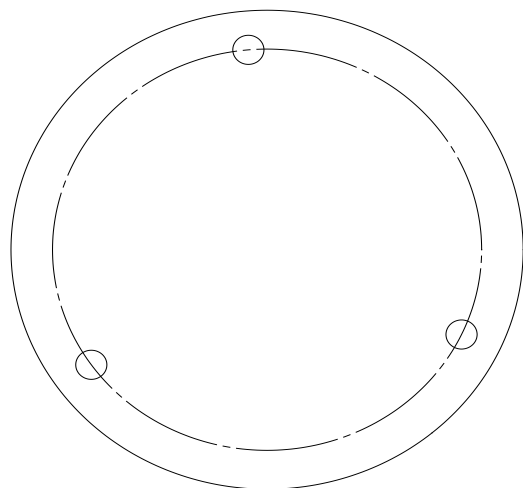


Fig 2.2.4 Fix card

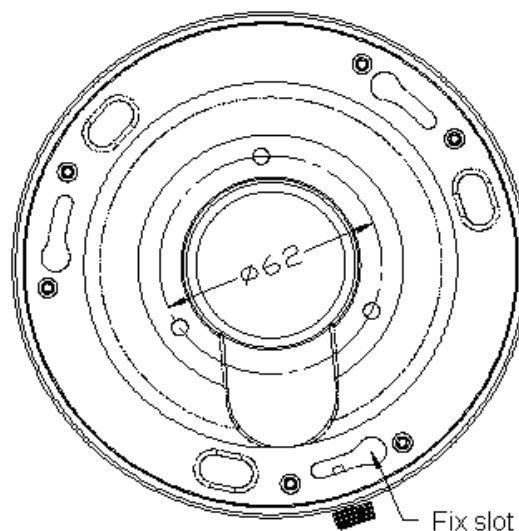


Fig 2.2.5 Fix in Ceiling

Take the three columns of Dome camera insert in the three fix slot of the ceiling plate. Pay attention to the direction of insertion. Let the ceiling plate "I" logo and the Dome camera "I" logo in the same direction. Meanwhile, make the Dome camera along the counterclockwise Rotate 15 degrees until the switch to the fixed date. At the same time, the "I" signs on the Dome camera and the locking screw on the ceiling plate is alignment. Then screw down the locking screw on the Ceiling plate.

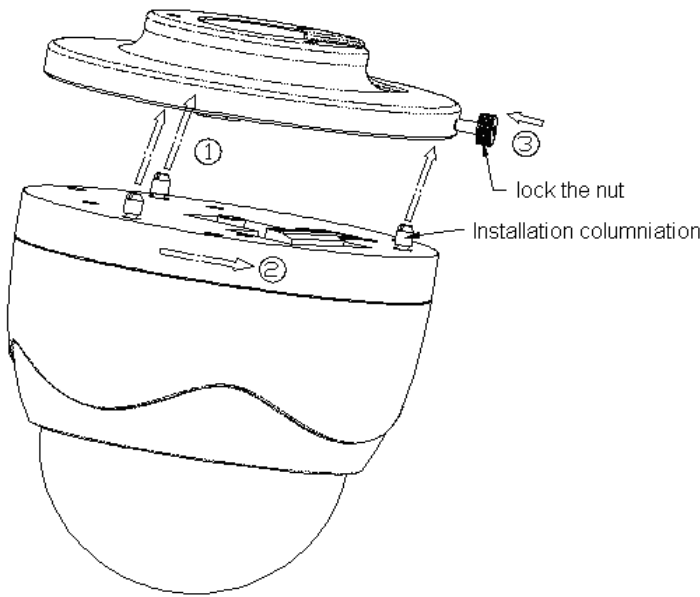


Fig 2.2.6 Dome camera fixing

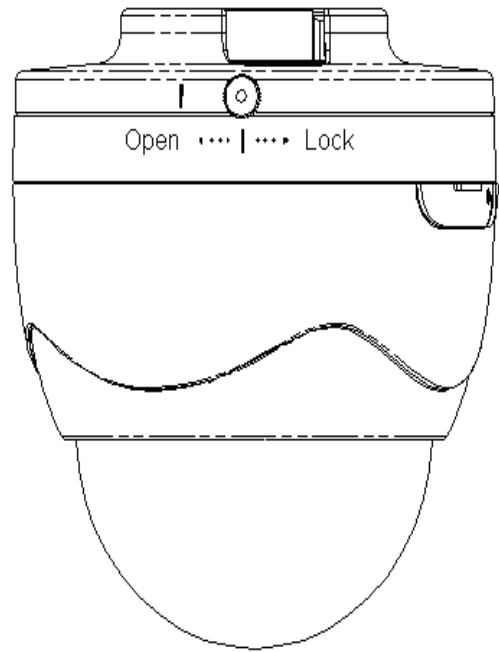


Fig 2.2.7 Dome camera fixed

2.2.3 Topological graph of network camera

Take DS-2CD802/812/892PF-E series for example:

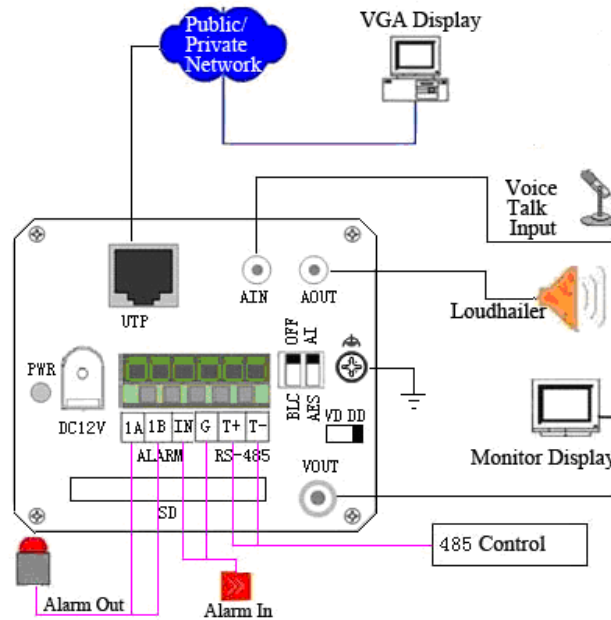


Fig 2.2.11 Topological Graph of Network Camera

Physical Interface	Connection
UTP Network Interface	Connect to network devices, such as switch , HUB, etc. Please refer to Appendix B for pin Definition.

Audio Input (AIN)	Connect to audio input devices such as active tone (2.0~2.4Vp-p, 1kΩ)
Audio Output (AOUT)	Connect to sounders like loudhailer 600Ω.
Power Supply (DC12V)	Please refer to the appendix for specified types. Please use a matched regulator.
Alarm Output (1A 1B)	1 channel alarm out. Please refer to Section 2.3.2 for connecting instructions. (external series-wound power shall be under 12V DC / 30mA)
Alarm Input (IN G)	1 channel alarm in.
RS-485 Interface (T+ T-)	Connect to RS-485 devices like PTZ.
SD card slot	Insert an SD card for local storage.
Video Output (VOUT)	Standard BNC, connect to monitor.

Notice:

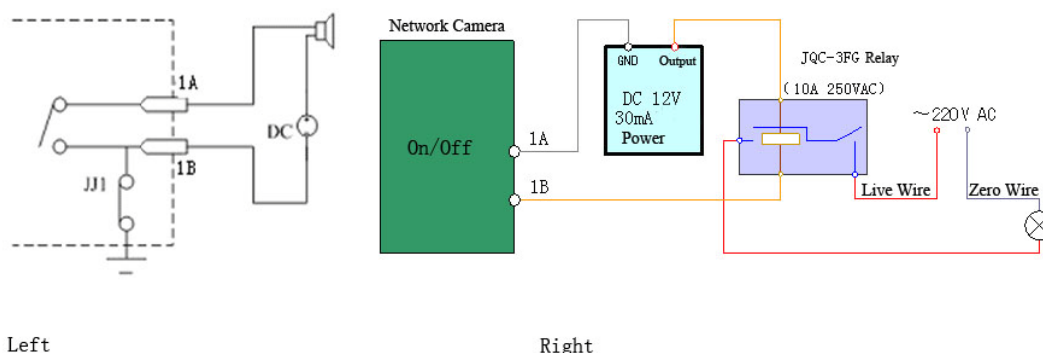


Fig 2.1.12 Alarm output

The alarm output is an on/off output that requires external power supply on connection. The external power supply shall be 12V DC/30mA, or use AC with external relays. Equipment damage or electric shock may cause if without relays.

2.3 Client Software Installation

Note:

It is recommended that user's computer adopted INTEL P3, P4, C4, Core4 CPU, and well-known brands (Asus, Gigabyte, MSI, ECS, and INTEL etc.) Intel chipset motherboard, to ensure the stability of the system. Tested the following models of the current graphics cards support the software installed, ATIRadeonX1650, X1600, X1550, X1300, X800, X600, X550, HD2400, HD2600, NVIDIA GeForce 8600GT, 8500GT, 8400GS, 7600, 7300LE, 6600LE, 6200LE, INTEL915/945G, pay attention to graphics driver must support hardware scaling function.

Step1: Double click 'Client software 4000 (v2.0)' in the Windows Operating System. The 'Preparing Setup' dialog box will pop up as Fig.2.3.1 automatically;

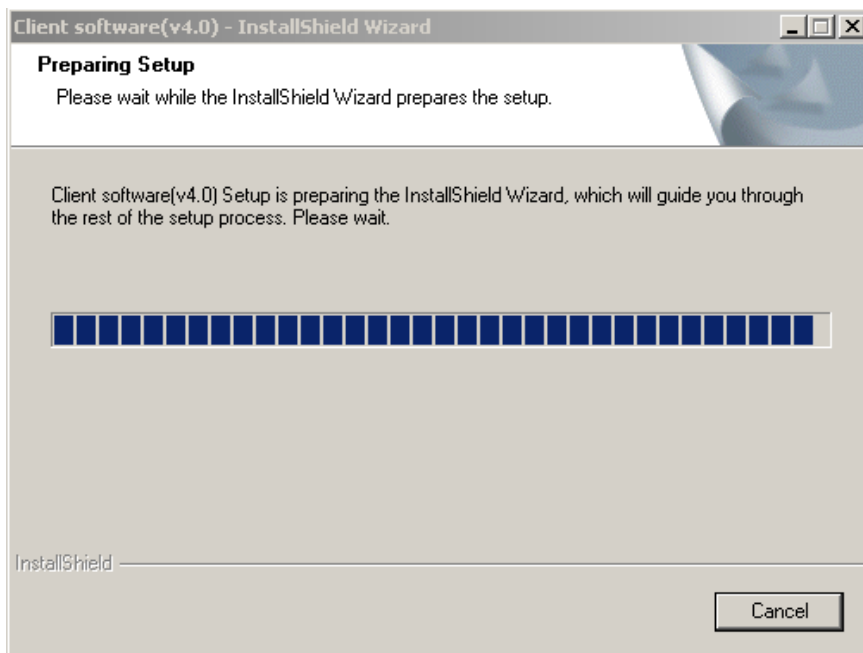


Fig.2.3.1 Client Software Installation

Step2: Input "User Name", "Company Name";

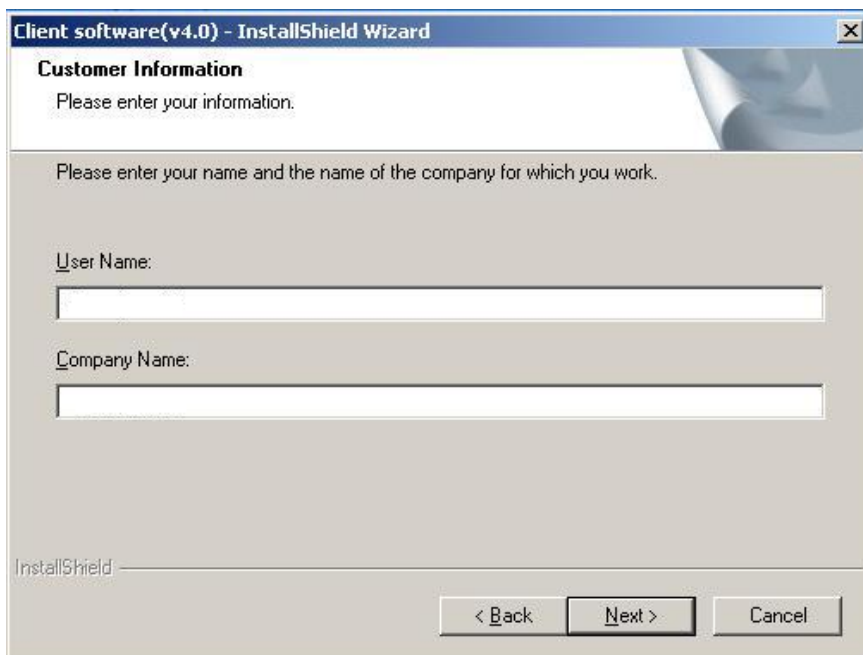


Fig.2.3.2 Customer Information

Step3: Select the destination folder and click 'Next' to go to the next step.

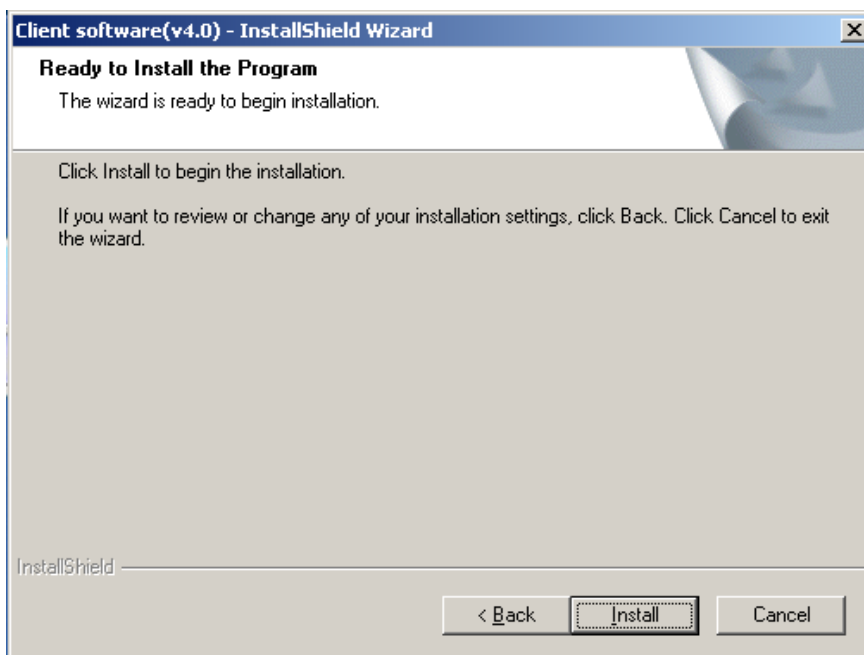


Fig2.3.3 Ready to Install the Program

Step4: Click 'Install' to start installation till finish the installation;

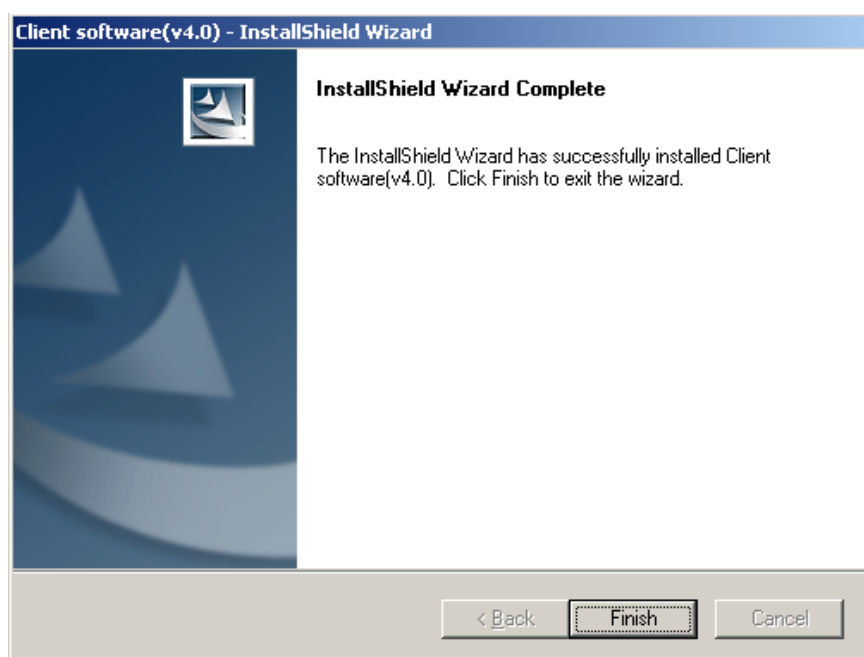


Fig2.3.4 Installation Complete

Click the 'Finish' button to close the dialog box.

After the client software has been installed, you can find the remote client software through "Start" -> "Programs" on your PC.

2.4 Special Client Software Installation for Wireless camera

Step1: Double click "Client software (v4.01)" under Windows Operating System. The "Preparing Setup" dialog box will pop up as Fig.2.4.1 and go to Fig2.4.2 automatically.

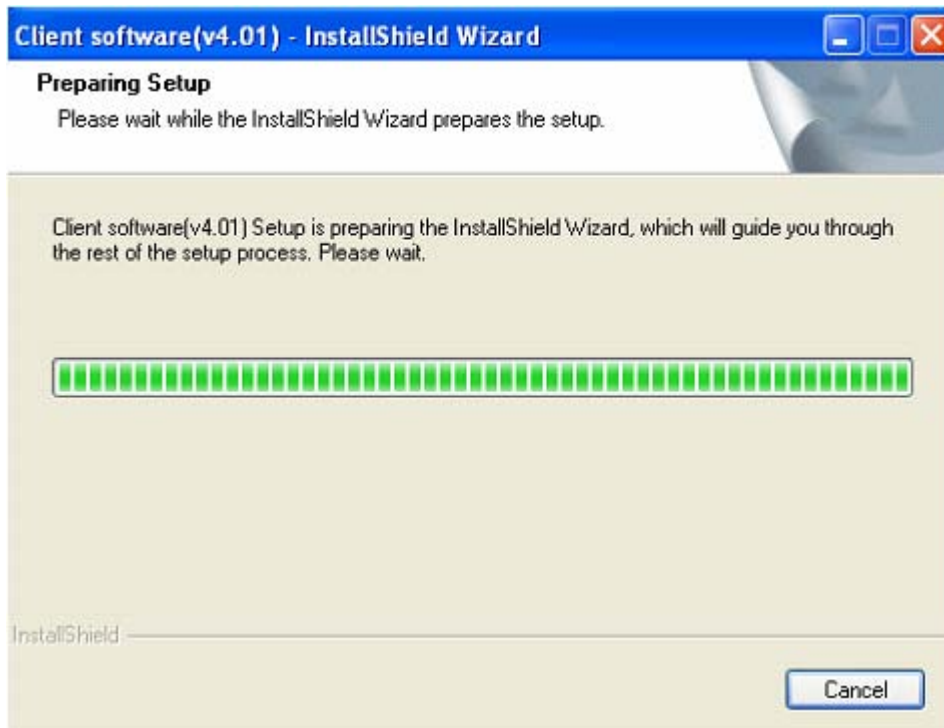


Fig.2.4.1 Client Software Installation



Fig.2.4.2 License Agreement

Step2: Enable the option “I accept the terms of the license agreement” and click the “Next” button to go to the next step as Fig.2.4.3.

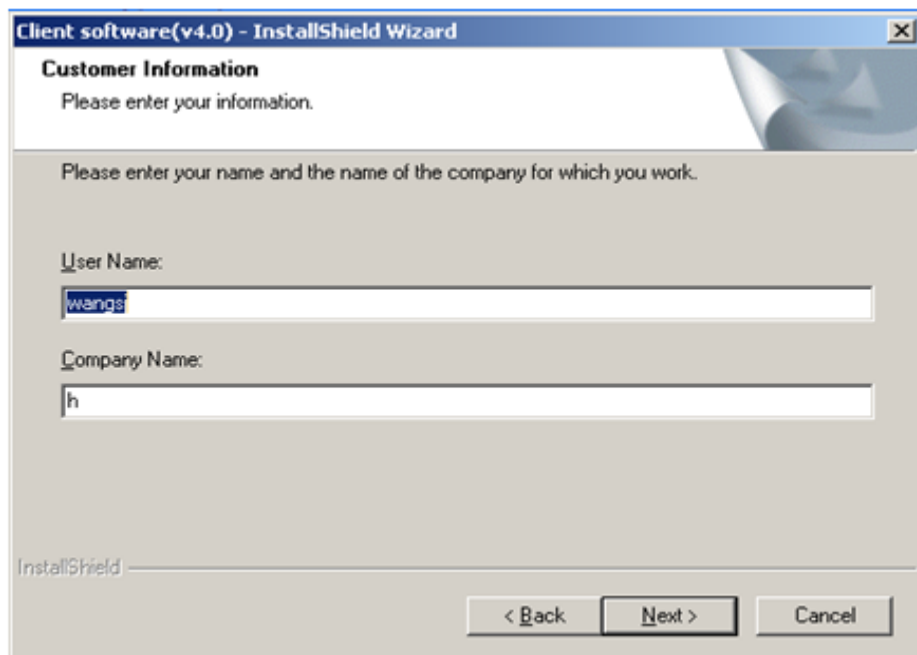


Fig.2.4.3 Customer Information

Step3: Input "User Name", "Company Name" and click "Next" to go to the next step.



Fig.2.4.4 Destination Folder

Step4: Select the destination folder and click "Next" to go to the next step.

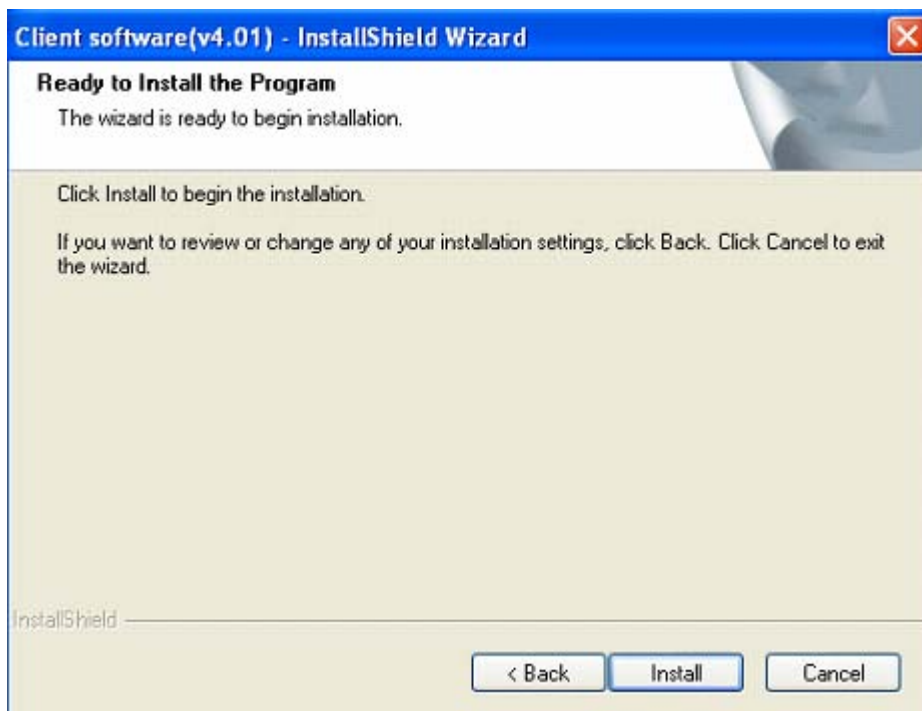


Fig2.4.5 Ready to Install the Program

Step5: Click "Install" to start installation shown as Fig2.4.6.

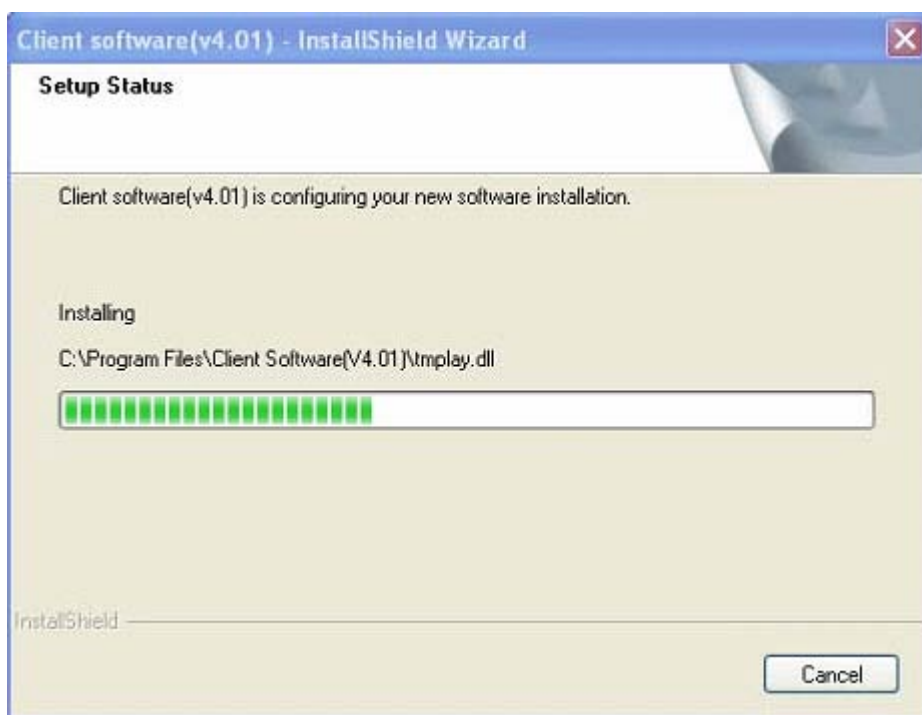


Fig2.4.6 Install Process

Step6: After finishing the installation, the installation completed dialog box will popup as Fig.2.4.7.

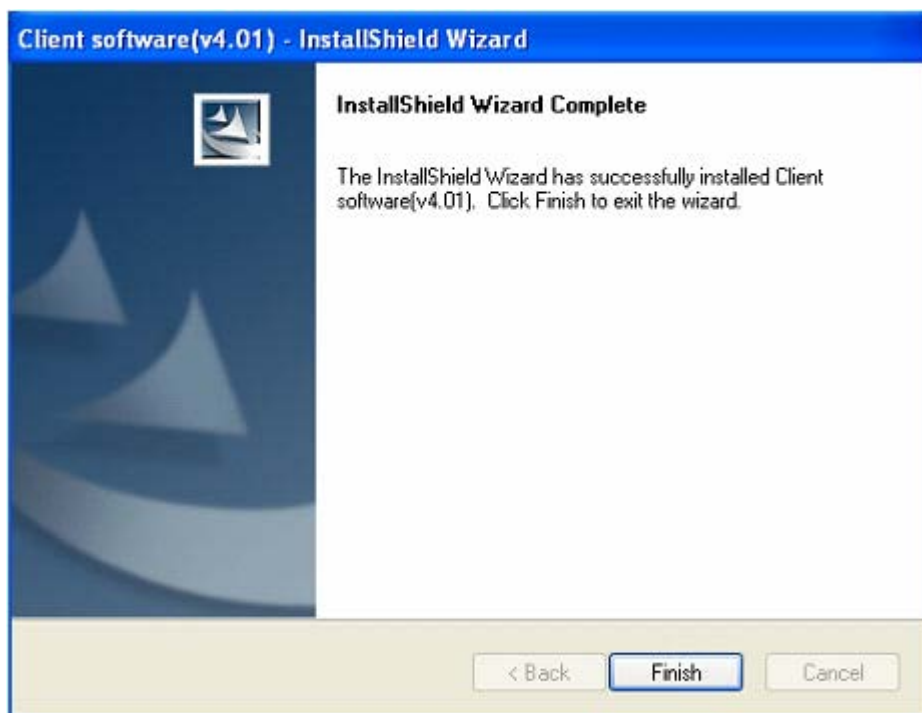


Fig2.4.7 Installation Complete

Click the "Finish" button to close the dialog box.

After the client software being installed, you can find the remote client software through "Start" -> "Program" on your PC

Chapter 3 Parameter Configuration

There are several network parameters of the camera which need to be set after the hardware installation. Those parameters including IP address, subnet mask and port number, etc. can be set through various kinds of methods, 2 of which are introduced as below.

1. Set the camera parameters via IE.
2. Set the camera parameters through the client software.

Please make sure that the PC and network camera are connected and can ping successfully before the parameter setting.

3.1 Network Camera access model overview

3.1.1 Wireless Network (Only “-w” series support)

Type 1: Point to Point Connect Model

In this model, the camera is connected to the PC on wireless network directly.



Fig 3.1.1 Point to Point connection

Type 2: Integrated connection

In this model, the camera is connected to the wireless access point.



Fig 3.1.2 Connection through wireless access point

3.1.2 Wired network

There are two ways of connecting between IPC and PC as below:

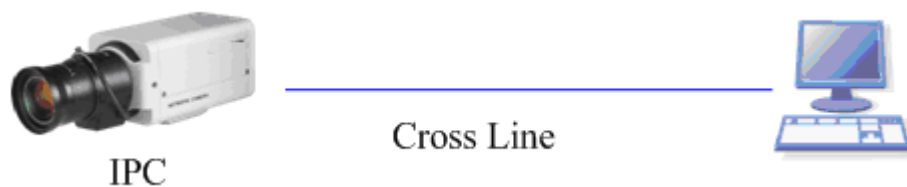


Fig. 3.1.3 Cross Line Connection

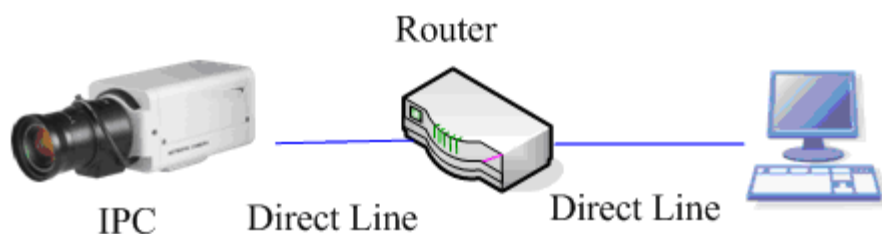


Fig. 3.1.4 Direct Line Connection

3.2 Visit Network Camera in LAN

Before visiting network camera, user should detect its IP address. SADP is a tool software which can automatically detect hikvision's network device in the LAN and give the device's information like IP address, mask, port number, device serial number, software version and so on.

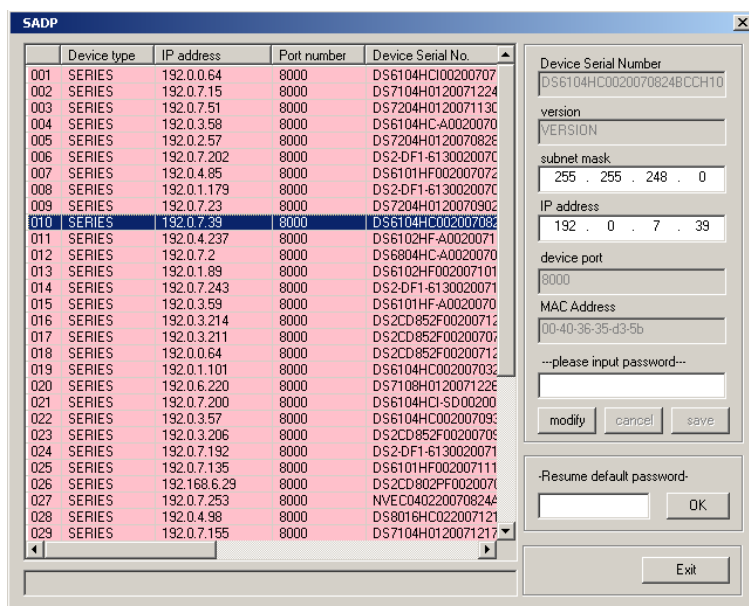


Fig. 3.2.1

Select the device, and set its IP address and mask at the same network segment with the PC. The detailed introduction of SADP, please refer to Appendix 1.

3.3 Configuration via Web browser

Before visit the camera via web browser, user should adjust security level. Open the web browser, and enter the menu “Tool/ internet option/Security/Custom level”, then set the security level to Security Level –Low, or enable ActiveX Control and the Plug-in directly. Figure 3.3.1 gives you a visual illustration. After you can see the camera video, recover the security level for security.

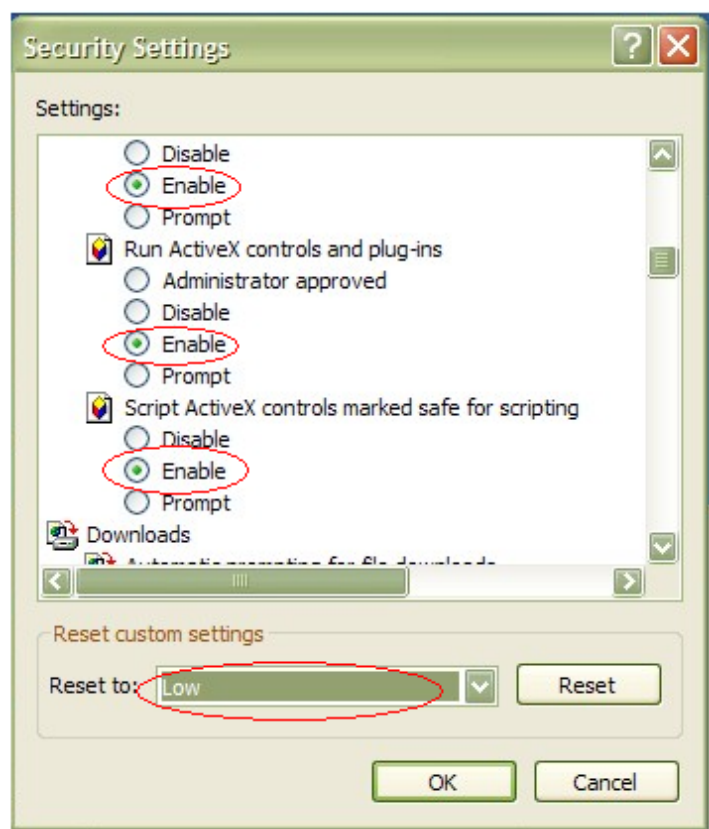
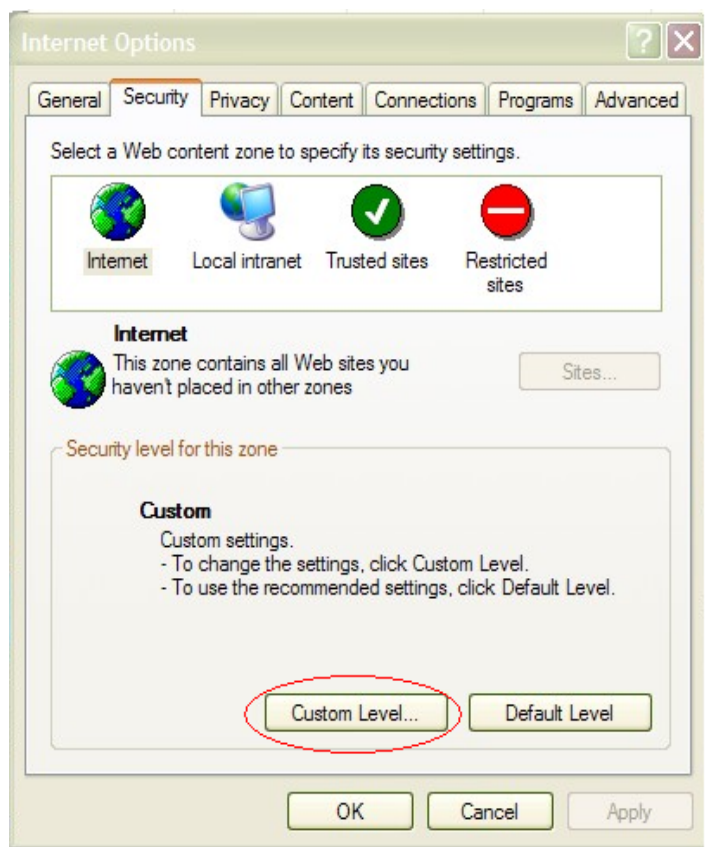


Fig. 3.3.1 Set the Security Level

The default IP of the camera is 192.0.0.64 with 8000 as the default port, admin as the administrator,

and 12345 as the password. The administrator can create up to 15 separate operators with different right levels.

To login the camera through IE, input the IP address in the address column, and the “Login” dialog box will pop-up as Fig. 3.3.2. Input your user name and password, and then click “Login” to enter the “preview” page. Double click the “Camera 01” channel or “Preview” button to preview the video as Figure 3.3.3. Right click the “Camera 01” channel, and the “Main Stream”, “Sub Stream” and “Open sound” options will popup. Select the Open sound option if you connect a pickup to the camera.

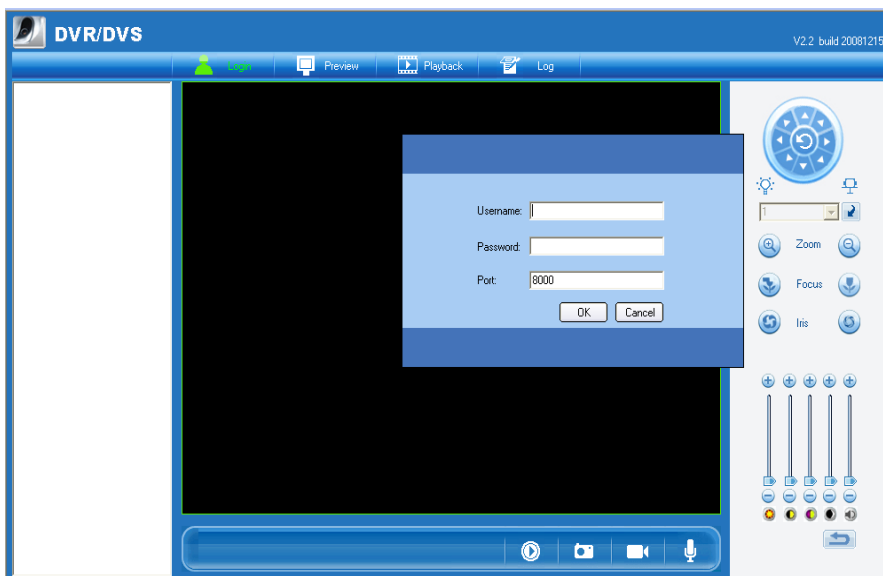


Fig. 3.3.2 Login Interface



Fig 3.3.3 Preview Interface

The “Playback” and “Log” functions can be used only in the condition of existing SD card. To set the camera parameters through IE browser, click “Config” and wait for the “Remote Parameters Config”

dialog box to pop up, and then set the parameters like IP address, etc. for your demand.

Enter the menu by invoking the 95th preset. Select the function you want by clicking the direction key. Click the IRIS+ button you can enter the submenu. The menu operation is like the remote control.

Note: If plug the SD card into the camera, user should enter the “config” and select “other function” to format the SD card.

For more specific information of “Remote Parameters Config”, please refer to “Instructions of Client Software (version 4.01)” from Section 2.5.3 of remote-distance parameter settings. Instructions can be found in the client software4.01 in the path of “Start→ “Program”→ “client software 4.01” after installation.

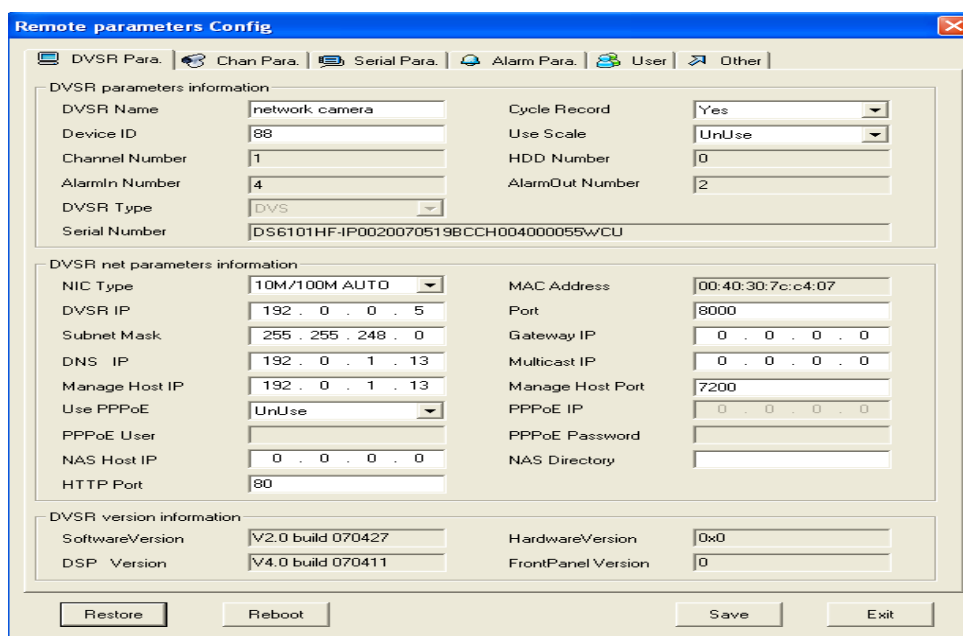


Fig. 3.3.4 Remote Parameters Configuration

3.4 Configuration via Client Software

After the installation of client software-4000(v2.0), there is a short-cut icon named “Client Software-4000(v2.0)” on computer’s desktop. Please double click client software icon, a message box of “Register Administrator” as Fig. 3-4-1 will appear the first time running. Password should be more than 6 digits for registration.

Note: Please keep the user name and password in mind .You will not be able to get access the software without the proper login information.



Fig.3.4.1 Register Administrator

Enter the registered user name and password as Fig. 3.4.2. Click "Login" to enter the "Preview" menu as Fig. 3.4.3.

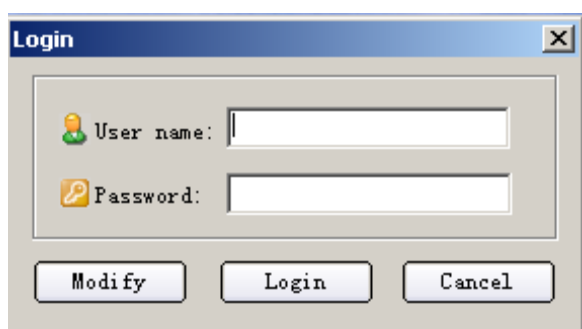


Fig. 3.4.2 User Login

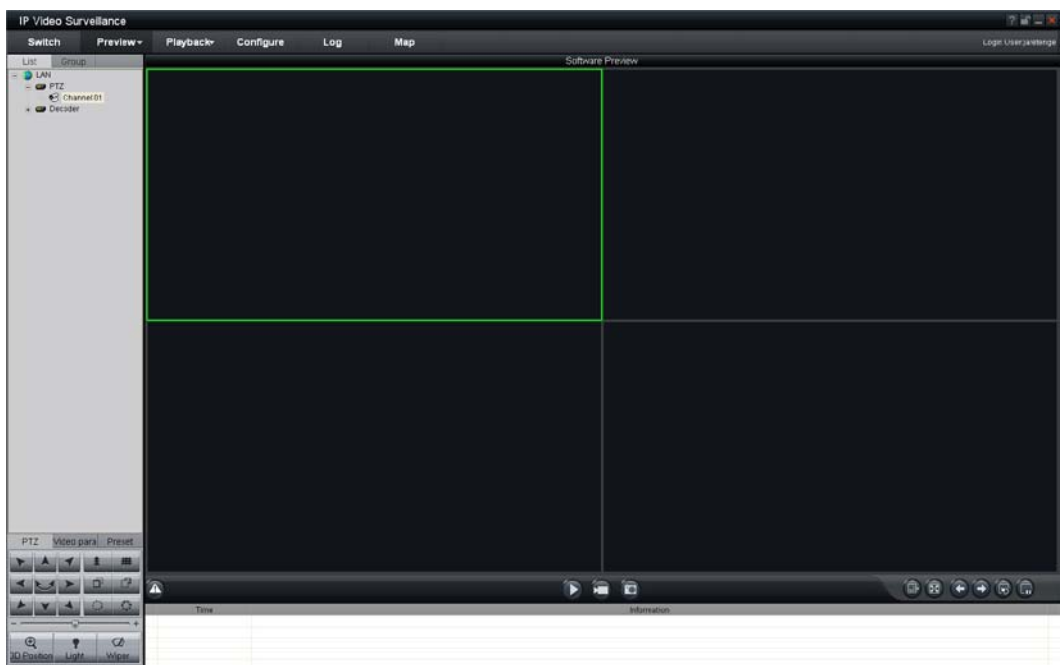


Fig. 3.4.3 Preview Menu

Click the "Configure" button in Fig. 3.4.4, and then right click the blank white space. Click the "Add Area" button, and the "Add Area" message will pop up.

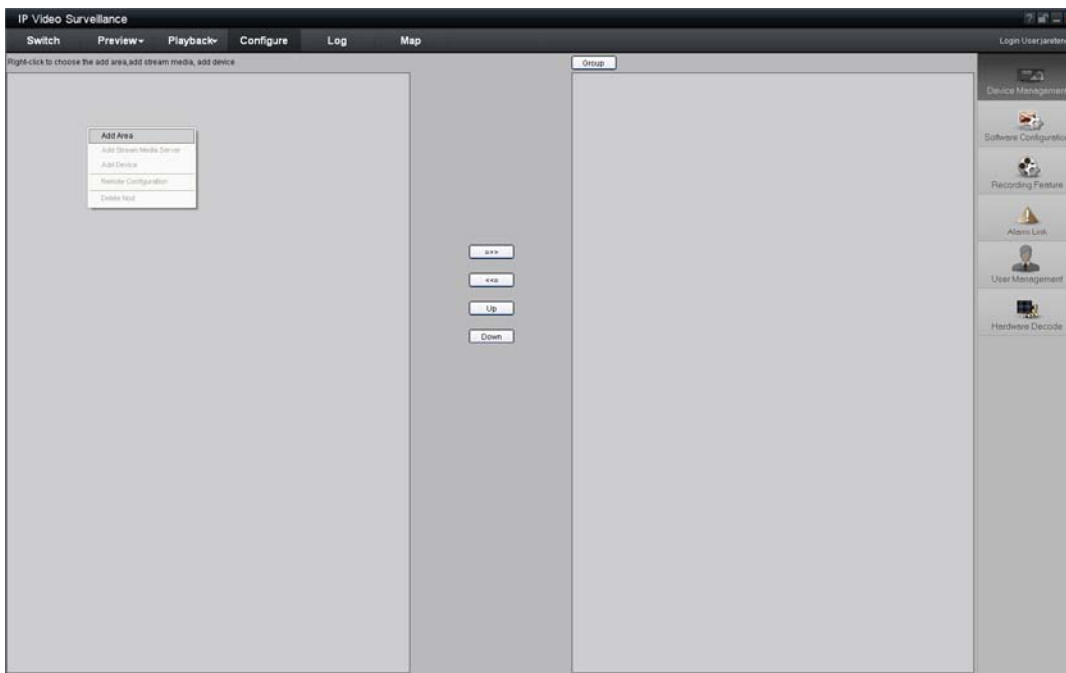


Fig. 3.4.4 Add Area

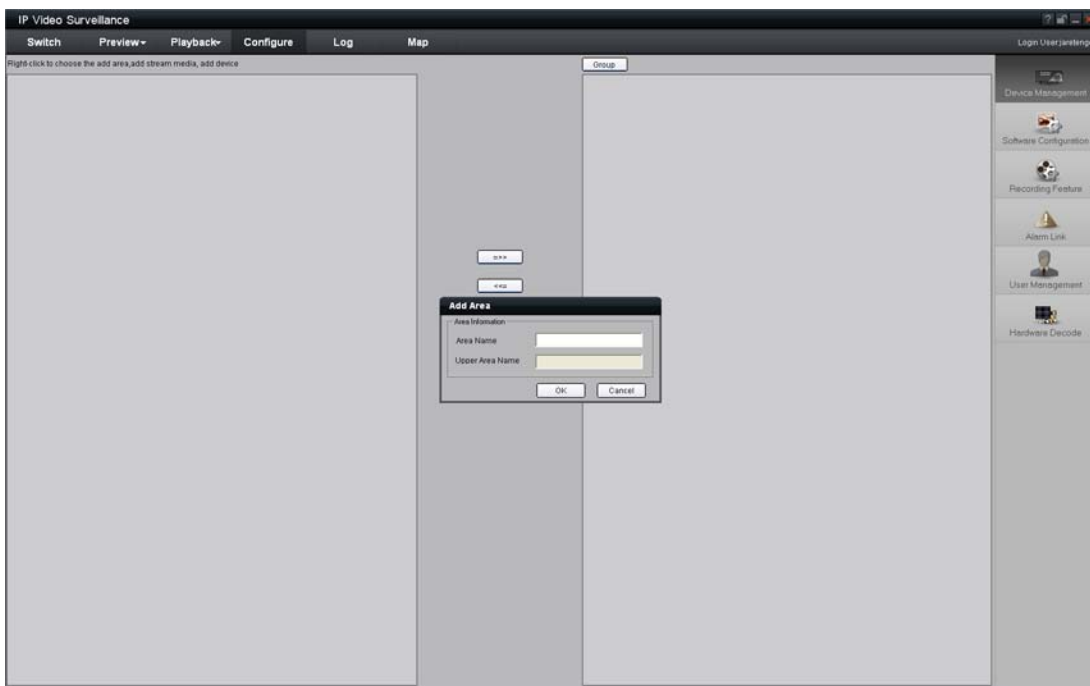


Fig. 3.4.5 Add Area Properties

Input the area name (you can create whatever name you like) and click “OK” as Fig. 3.4.6. Then right click the area you have just created as Fig. 3.4.7.

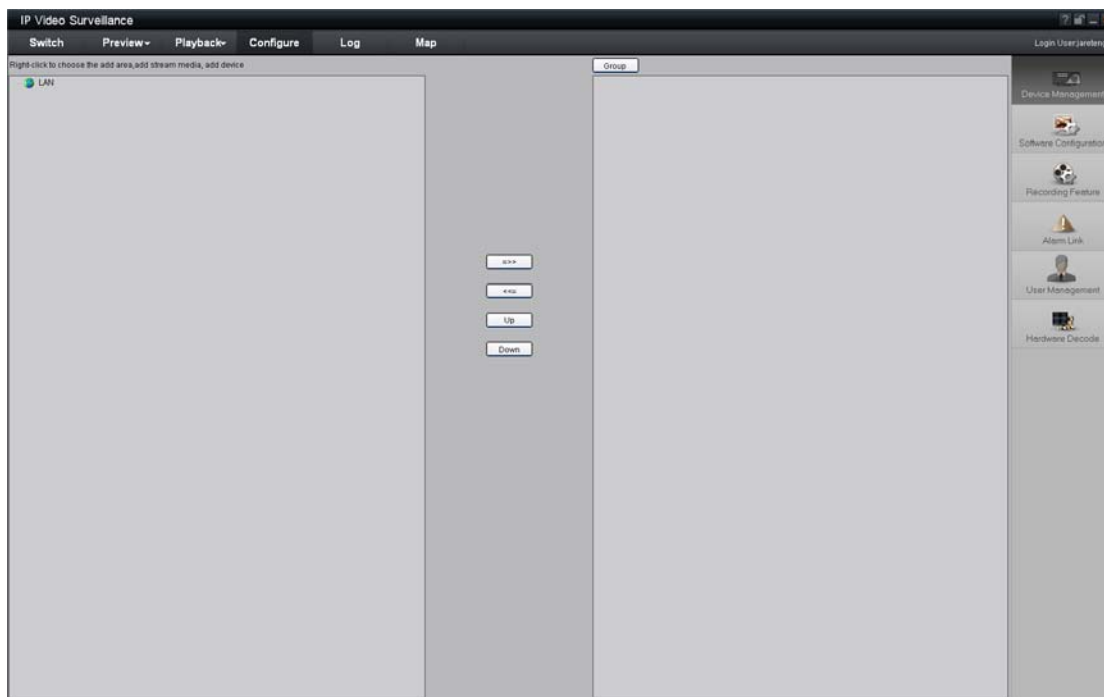


Fig. 3.4.6 Area Name Adding Completed

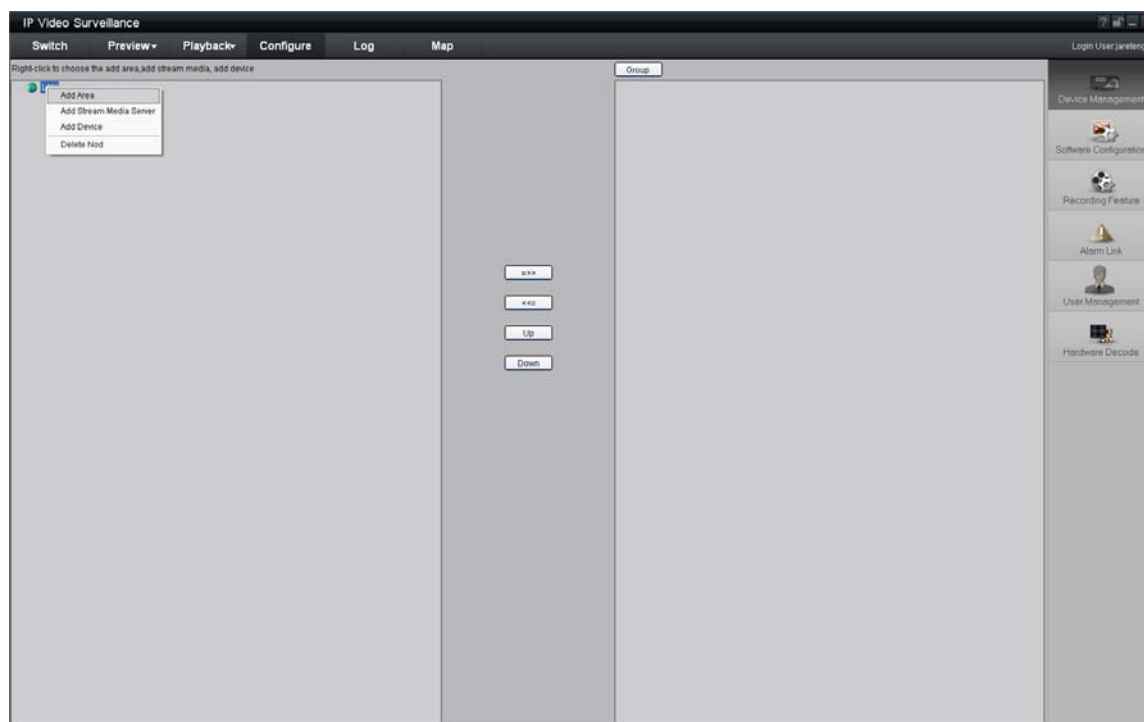


Fig. 3.4.7 Right Click the Area Name

Click “Add Device”, and the “Add Device” dialog box will pop up as Fig. 3.4.8. Input your “Device Name”. Select “Normal” from “Register” option. Input your camera IP in “Device IP”, e.g. 192.0.0.64; “User Name”: admin, “Password”: 12345, and 8000 for the default “Port”, and then modify “Channel” to 1. Click the “OK” button as Fig. 3.4.8.

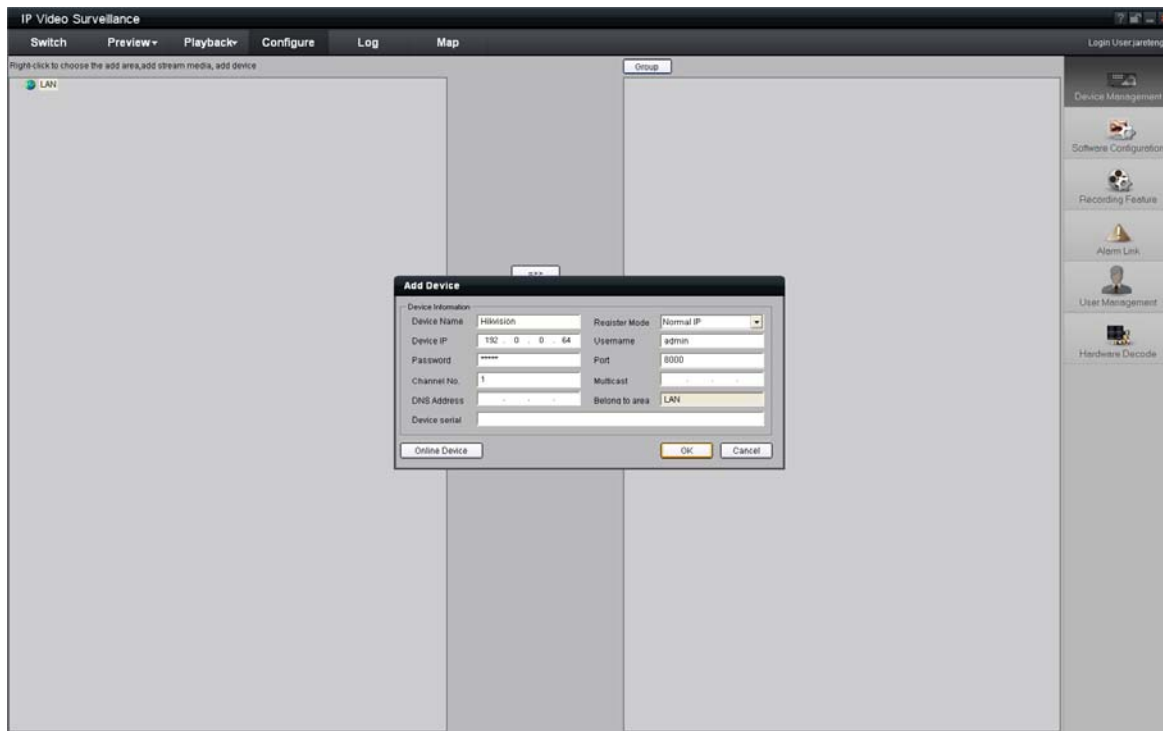


Fig. 3.4.8 Add Device

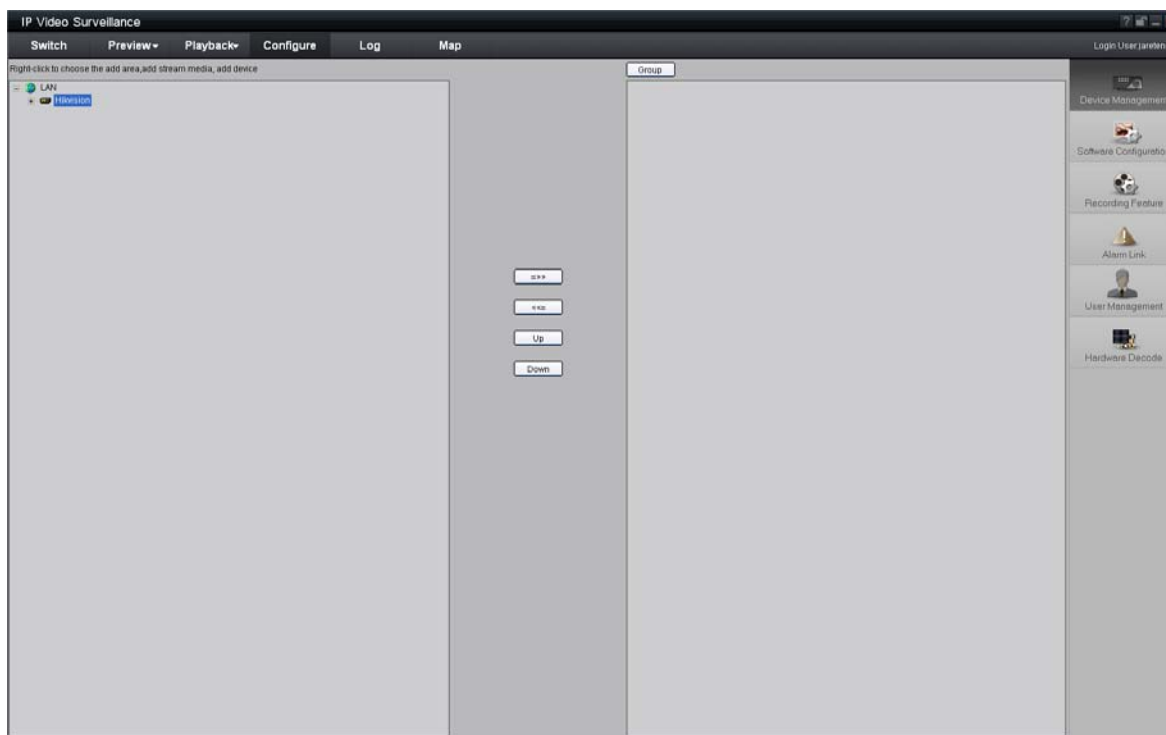


Fig.3.4.9 Camera Adding Completed

Click the “Preview” button to enter the “Preview” menu as Fig. 3-4-10. Double click the channel name in the left tree to preview the camera feed.

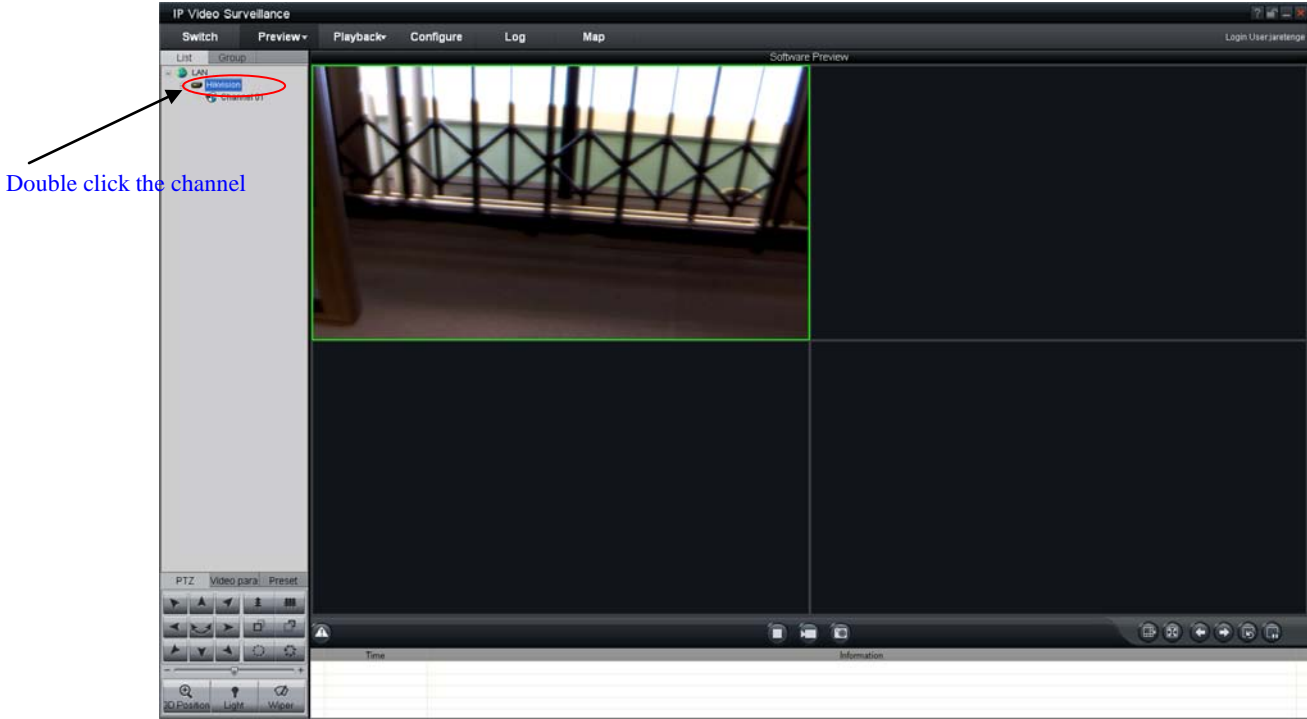


Fig.3.4.10 Preview Menu

Please refer to “Client Software-4000(v2.0)_ENG.pdf” for a more detailed parameters configuration. You can find the document in the PC Operating System after the installation of client software 4000 v. 2.0 by selecting “Start”-> “All Programs”-> “client software 4000 v. 2.0”.

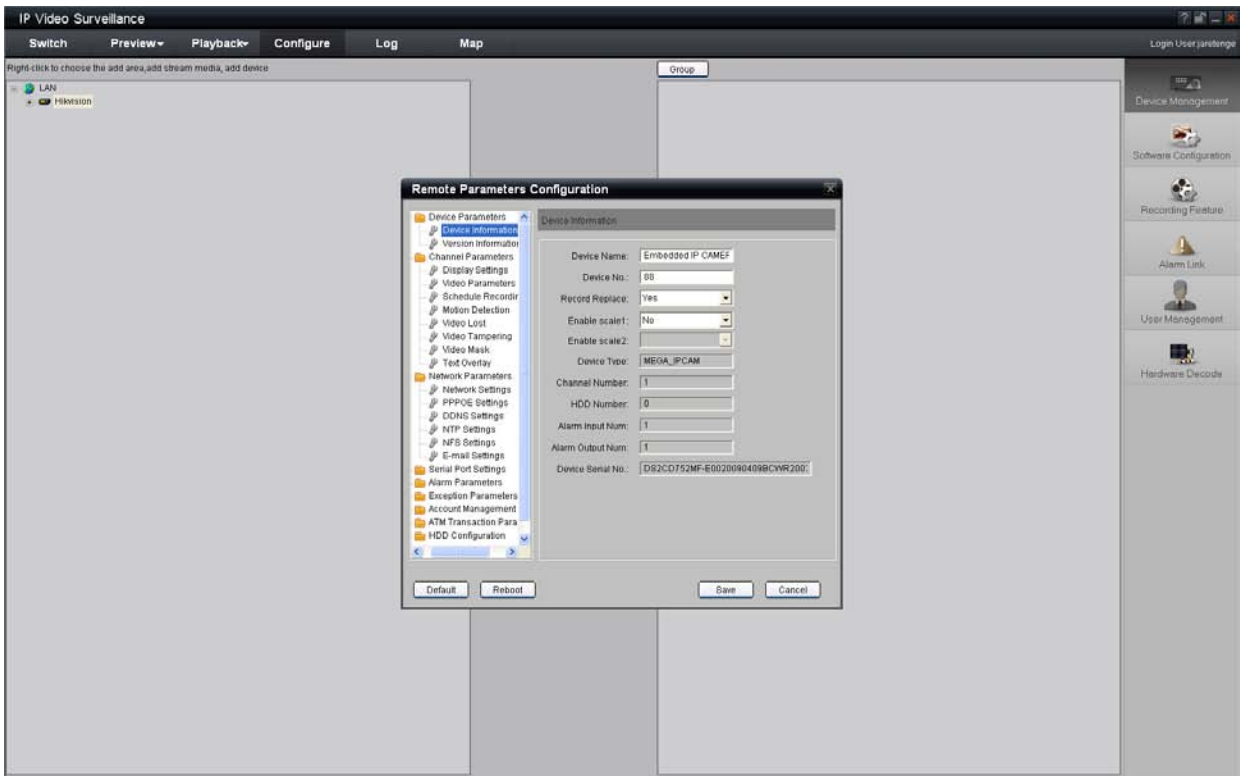


Fig.3.4.11 Remote Configuration

3.5 Wireless Network Camera Access

[Notice] The following message only introduces the –W series wireless IP camera. Take the IE Browser Access for example.

Before configure parameters of the wireless IP camera, you should set the wireless router. The following example is TP-LINK. Firstly configure the ‘network parameter’ of the ‘LAN setting’ and ‘WAN setting’ in the wireless router’s management page. Enter the ‘Wireless Parameter’, and set the ‘SSID NO.’, ‘Frequency band’ and ‘Mode’. User can input any letter and number in the ‘SSID NO.’. ‘Frequency Band’ is selected according to the on-the-spot environment, and usually we recommend 6 frequency band; Select the ‘54 Mbps(802.11g)’. Select the ‘Enable Wireless Function’ and ‘Allow SSID Broadcast’.

User can select ‘Enable Security Function’ according to the on-the-spot environment. You can select the ‘Security Type’, ‘Security Option’, ‘Key Mode Option’ and ‘Key Content’. Please refer to the introduction of the wireless router to get the detailed configuration. As shown:

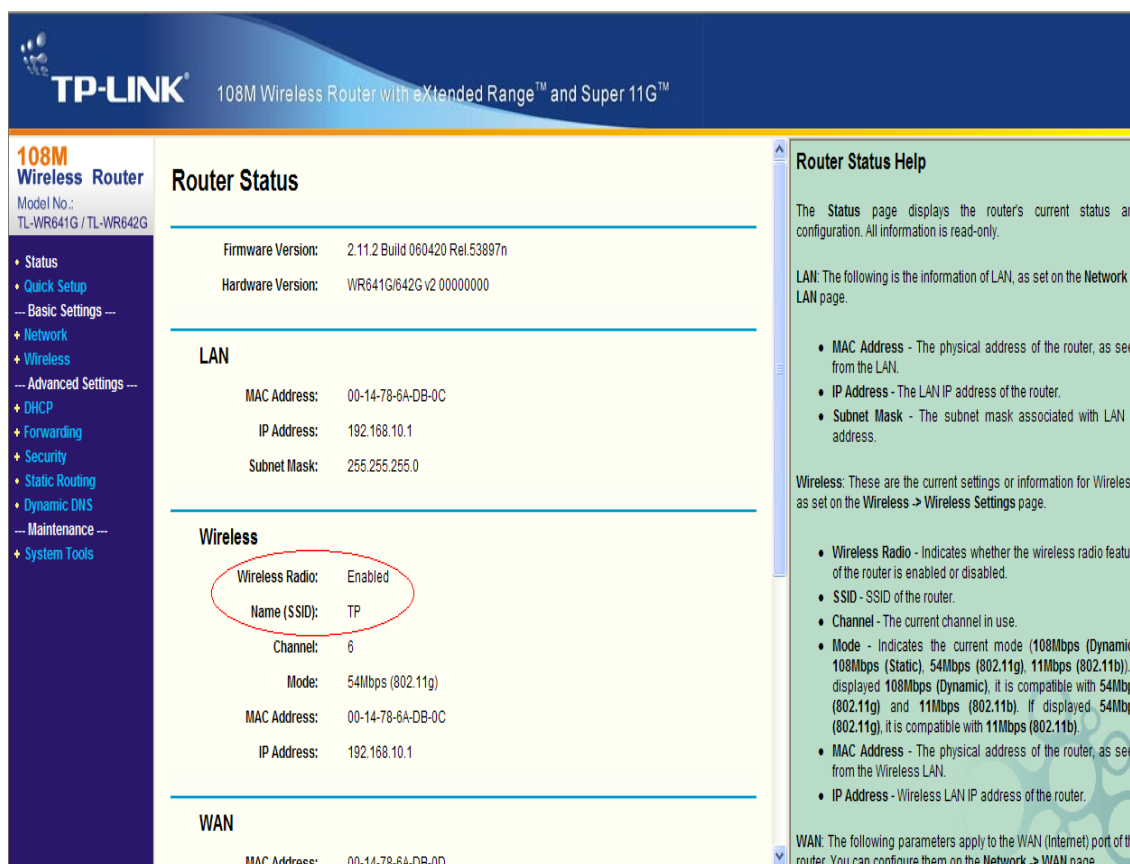


Fig.3.5.1 Router wireless parameter configuration

There are two network cards in the wireless IP camera: cable network card and wireless network card. The default IP of the cable network card is 192.0.0.64 with 8000 as the default port, admin as the administrator, and 12345 as the password. The wireless network card's default IP is 192.168.1.64.

User should configure the parameters of the wireless network card through the cable network interface. The way of visiting is the same as the chapter 3.2. Enter the menu as 'Fig. 3.3.2 preview page' shows, then click the 'Config' option, enter the interface as following:

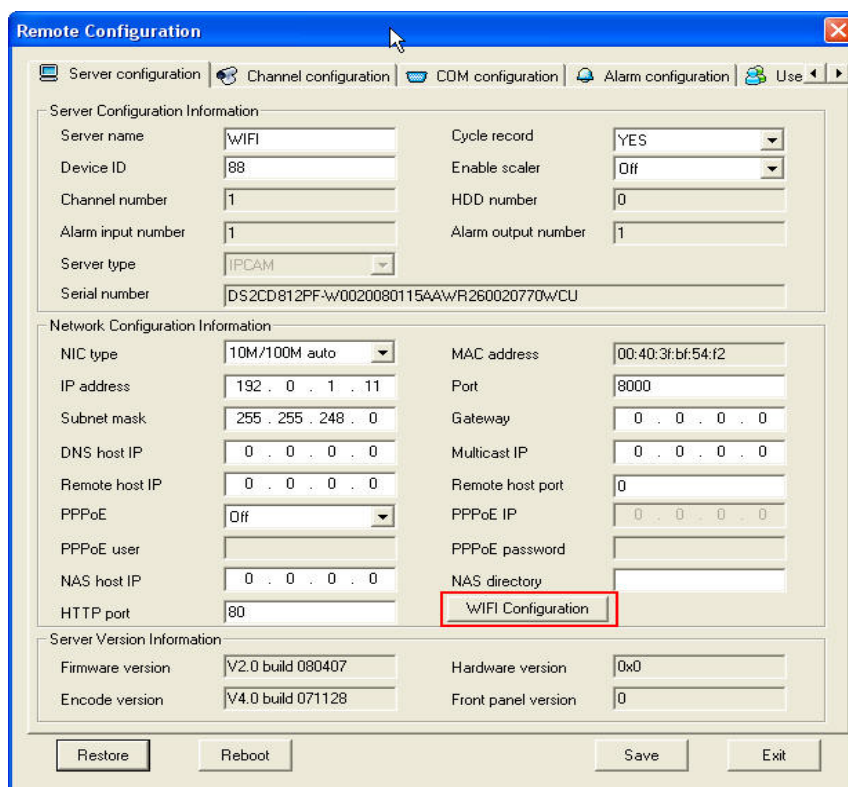


Fig.3.5.2 Remote Configure parameter

In channel configuration, you can click WIFI configuration button to set WIFI parameter of wireless camera. SSID should be same as the wireless router. If your wireless router has a security code, please enable network key and type into the code.

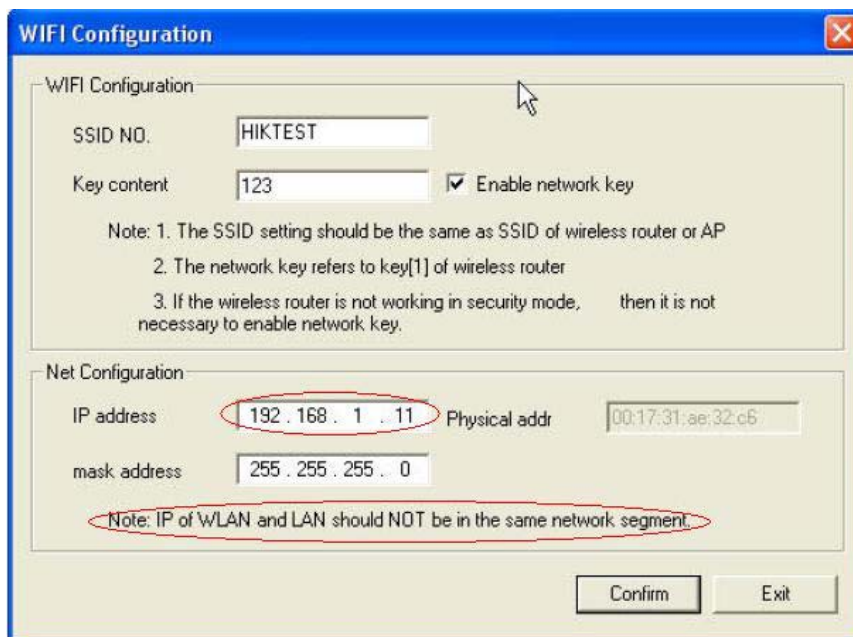


Fig.3.5.3 WIFI Configuration

3.6 Visit Network Camera in Internet

3.6.1 Visit network camera with static IP

When there is a static IP from an ISP, open some ports (such as 80 and 8000 ports) in the router. Then a user can visit it through a web browser or client software via the internet. The steps for port forwarding are different for each model of router. Please call the router manufacturer for assistance with port forwarding or visit www.portforward.com.

Note: Refer to Appendix 2 to for a detailed explanation about Port Map.

Users can directly connect the network camera to the internet without using a router.

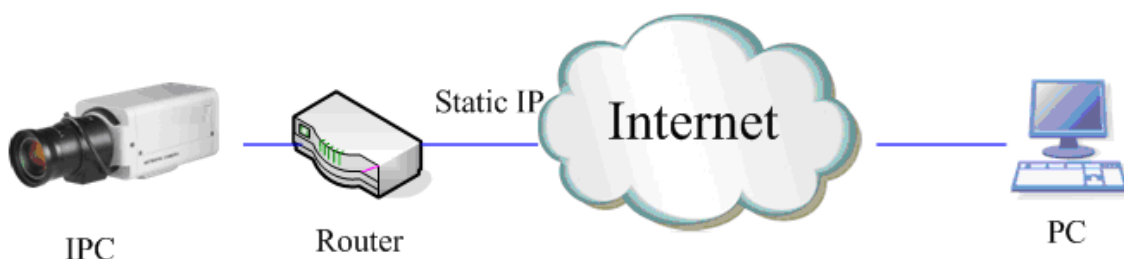


Fig.3.6.1 Static IP through Router access IPC



Fig.3.6.2 Static IP access IPC directly

For the client software to view the camera, in the adding equipment column, select the normal model, and fill in the IP info.

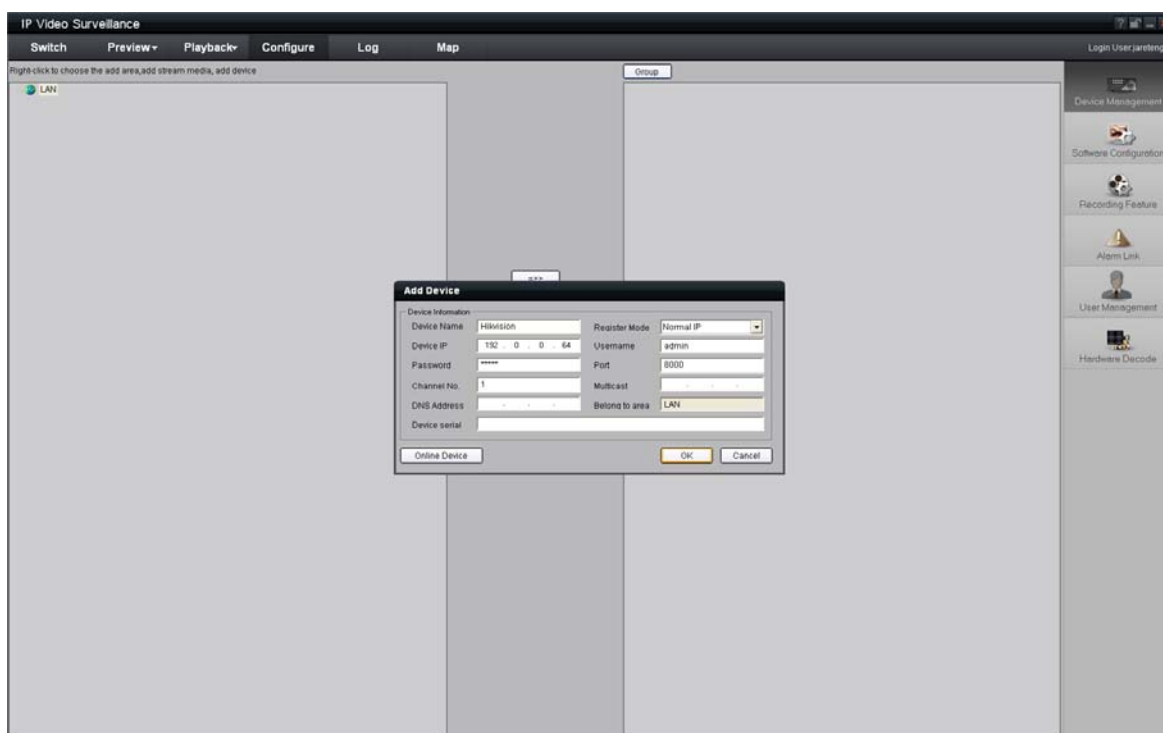


Fig.3.6.3 Selecting Normal Mode

3.6.2 Visit network camera with dynamic IP



Fig.3.6.4 Visit camera through PPPoE dial-up

This camera supports the PPPoE auto dial-up function, connecting the camera to a Modem for

dial-up access to an ADSL network to get a public IP address; First, through local network access to the network camera, select “Configure”→”Right Click the Device”, Select “Remote Configuration”, Select “PPPoE Settings” under “Network Paramters” fill in the PPPoE user name and password and confirm the password. Please restart the network camera after completion of configuration. Then the network camera can obtain a dynamic IP from an ISP operation business. However, the obtained IP address is dynamically assigned via PPPoE, so the IP address always changes accompanied with modem rebooting.

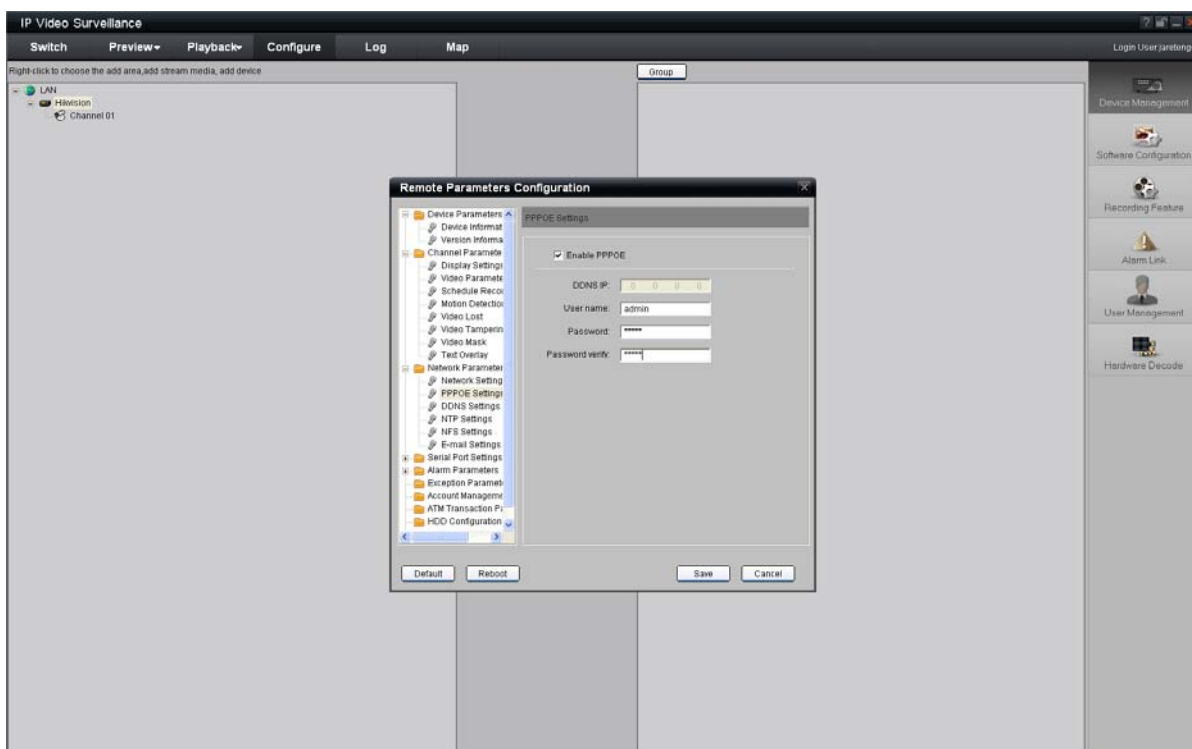


Fig.3.6.5 PPPoE configuration dialog box

It is inconvenient to view a network camera with a dynamic IP, therefore, users should register with a dynamic DNS service provider. (Such as DynDns.com)

Domain name resolution contains normal domain name resolution and private domain name resolution. First, we will introduce normal domain name resolution.

1. Normal Domain Name Resolution

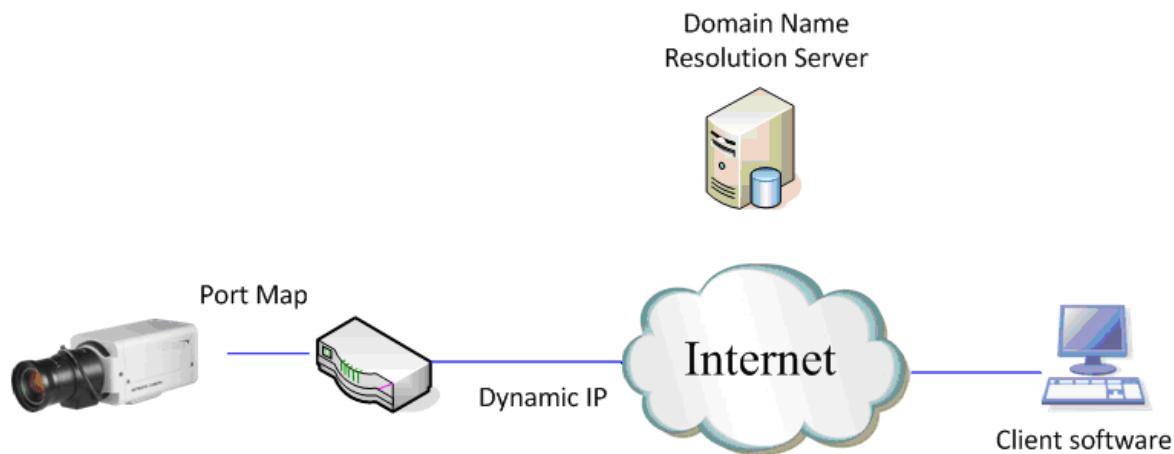


Fig.3.6.6 Normal Domain Name Resolution

Apply a domain name from a domain name provider, then view the camera via the applied domain name. If the camera connects to the internet via a router, users should port forward the router. Please refer to Appendix 2.

Input domain names in the client software or IE to view the network cameras. Take the client software configuration as an example.

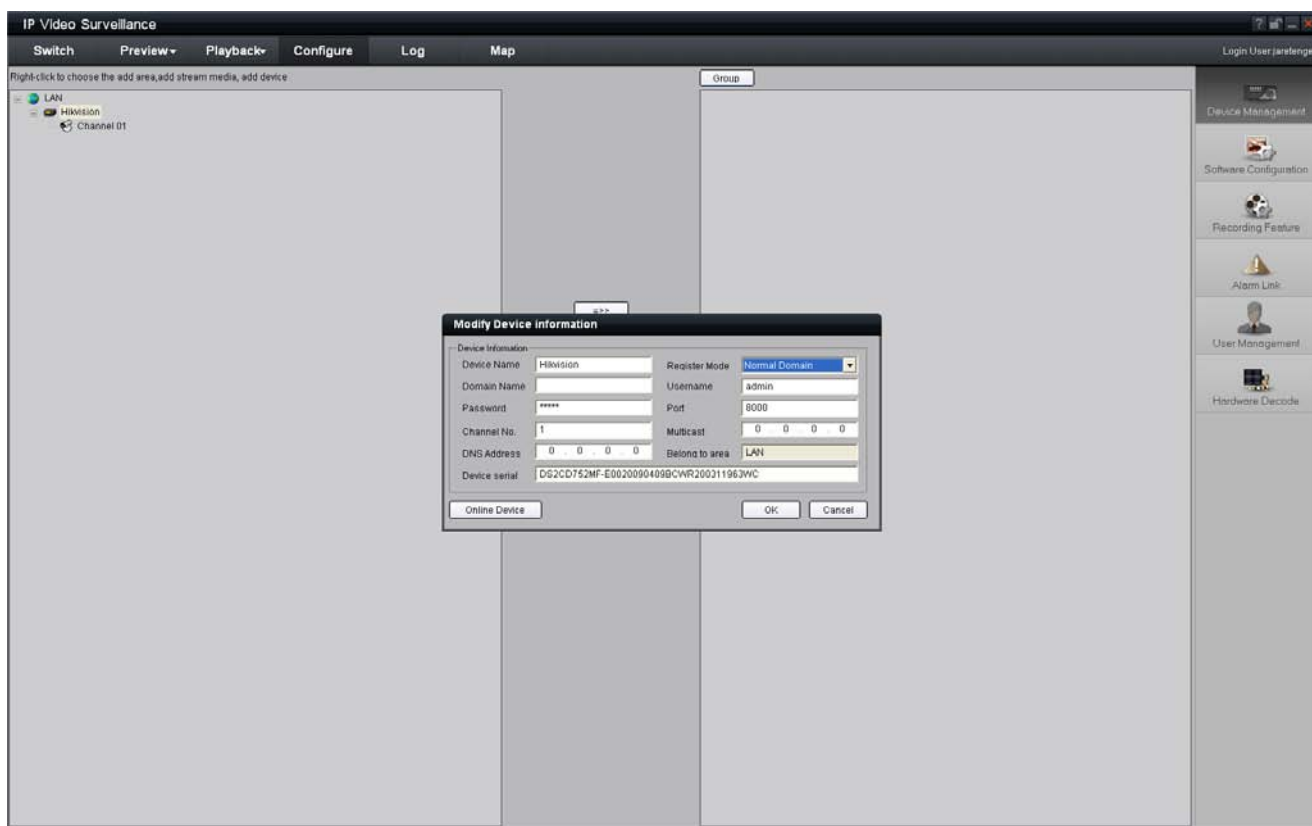


Fig.3.6.7 Selecting Normal Domain Mode

2. Private Domain Name Resolution

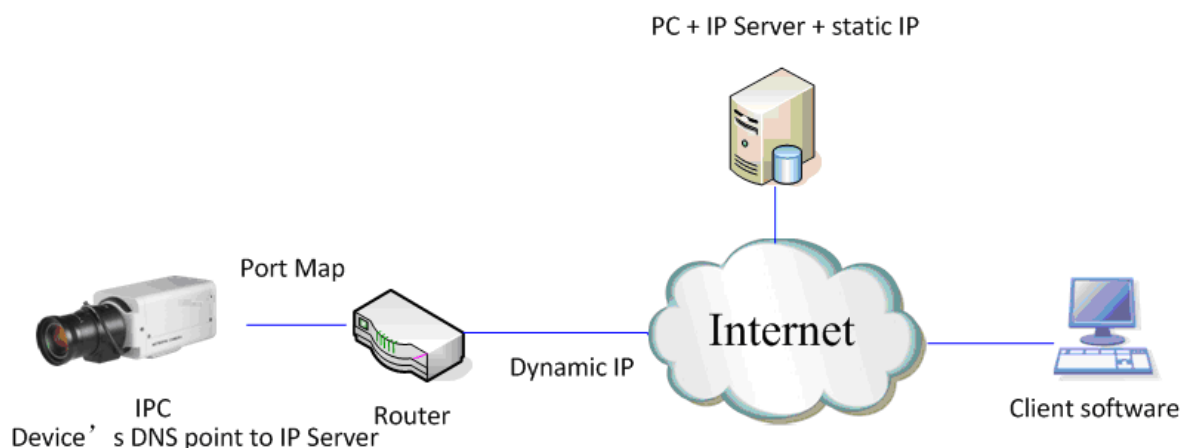


Fig.3.6.8 Private Domain Name Resolution

A PC with a static IP which is running the domain name resolution service is necessary.

When the network camera connects to the internet through PPPoE and obtains an IP address, it will send its name and IP address to the resolution server. When the client software connects to the network camera, it will connect to the resolution server and tell the resolution server the expected camera's name. And the server will find the camera from all the registered cameras and send its IP address to the client software. Once the client software gets the IP address, it can connect the network camera.

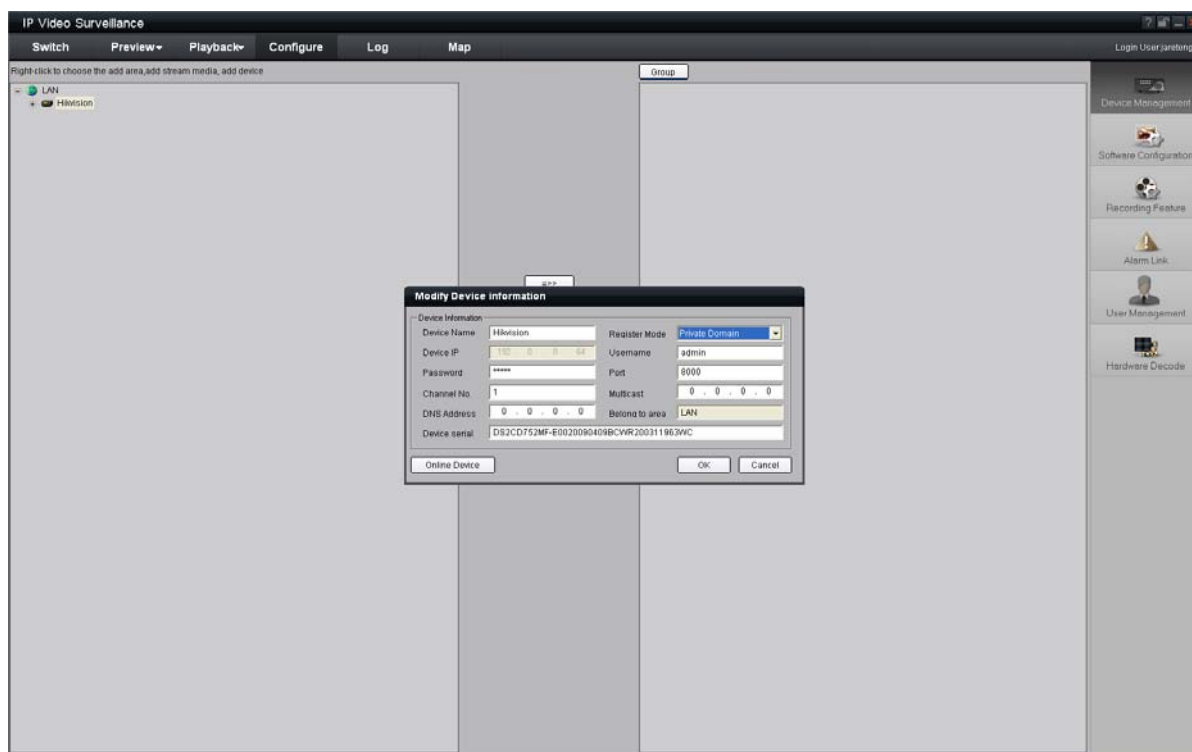


Fig.3.6.9 Selecting Private Domain Mode

Appendix 1 SADP Introduction

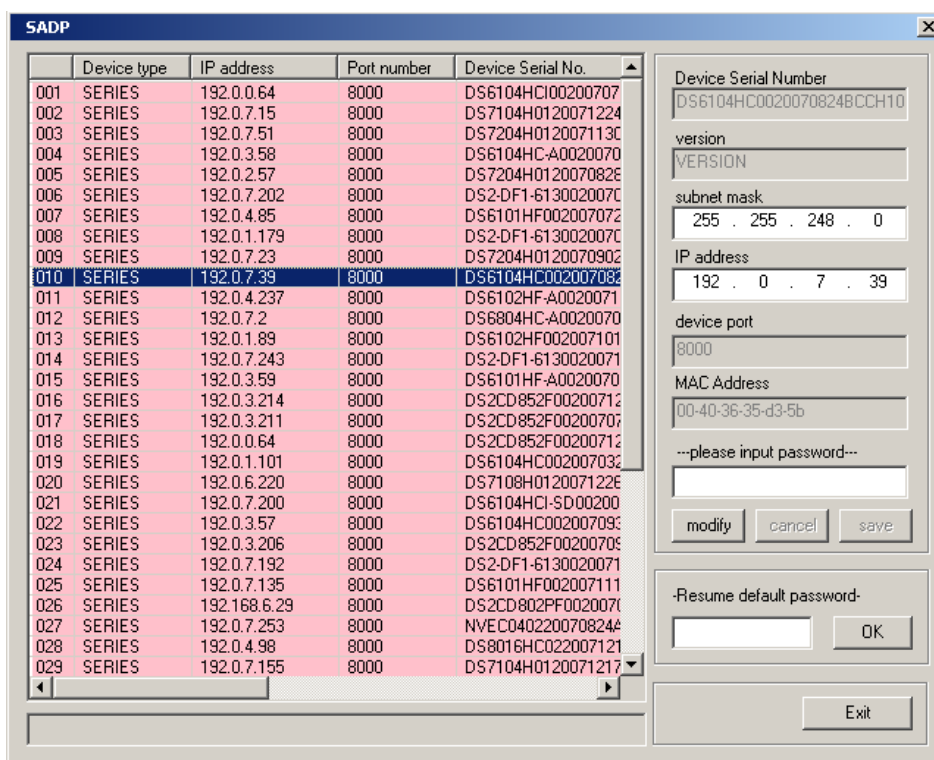
1. Brief introduction

SADP (Search Active Devices Protocol), can automatically search IP cameras in LAN. User can modify the IP address, subnet mask and port of the device without visiting IP address of the device. Additionally, password of the super user in this device can be recovered as default.

SADP software needs to support sadp, so we should install WinPcap at first, which is placed in the directory of SADP software.

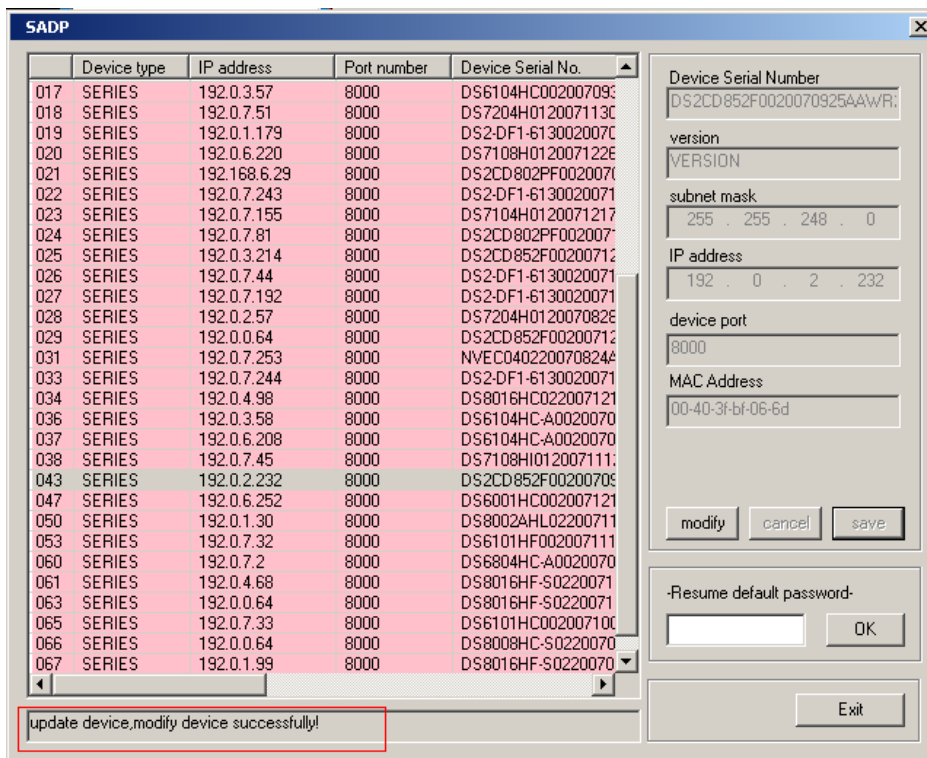
2. Searching active devices online

After installing WinPcap, double click sadpdlg.exe. The software will start to search active devices in LAN, and device type, IP address, Port number, Device Serial No., subnet mask, MAC address, the number of channels, main control and encoding version and device initiating time are showed in the list, as follows:



3. Modifying the information of active devices

Select the device that needs modification in the device list, then basic information of the device will be demonstrated in the information column on the right. Click 'modify' button to activate IP address, subnet mask, device port editing and password validating box, as follows:



Input the new IP address, subnet mask, and port number, and click 'save' button. If a dialog pops up, showing 'saved successfully', that means you have modified the configuration information; if 'saving failed' dialog pops up, click the 'cancel' button to quit it.

4. Recovering default password

You can reset the password of the super user as '12345' in the case of a lost password.

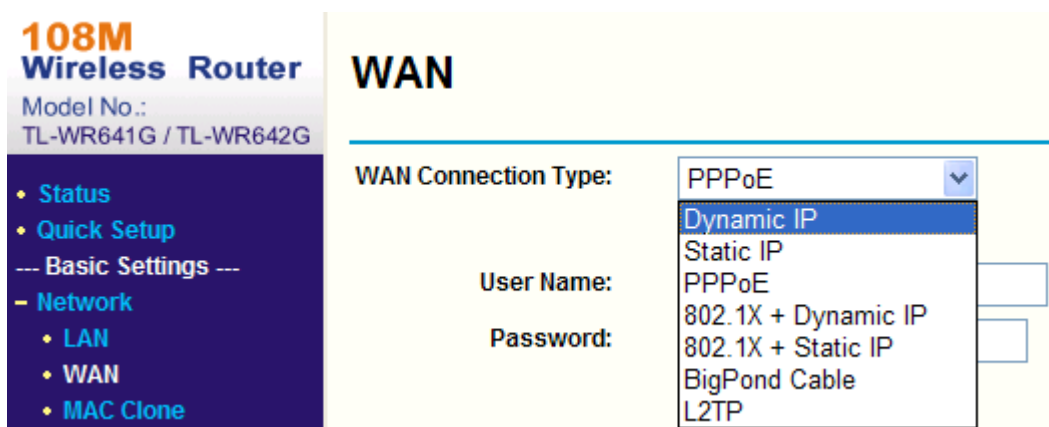
Input certain validation code into the 'Resume default password' box, and click 'OK' to finish the administrator's password initiating.

Note: Password reset code can be obtained by the technicians from Hikvision after you provide the device Serial NO.

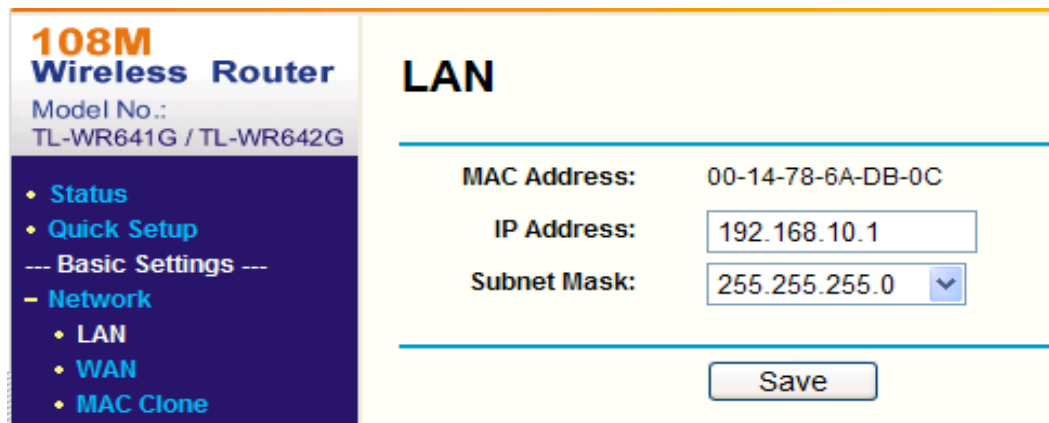
Appendix 2 Port Map

Note: The following setting is about TP-LINK router (TL-R410), which is maybe distinct from other router's setting.

1. Firstly, select the router's WAN connection Type. As the following Fig. shows:



2. Set the "network parameter" of the router as the below figure. The setting includes subnet mask and gateway.



3. Set the port map in the virtual servers of Forwarding. By default, camera uses port 80, 8000, 554 and 8200. You can change these ports value with IE or client software.

The following figure gives the illustration. One camera's ports are 80, 8000, 554, 8200 and its IP address is 192.168.1.23. The other camera's ports are 81, 8001, 555, 8201 and IP is 192.168.1.24. Afterwards, enable all or TCP protocols. Enable the port map after pressing the 'Save'.

108M Wireless Router
Model No.: TL-WR641G / TL-WR642G

- Status
- Quick Setup
- Basic Settings ---
- Network
- Wireless
- Advanced Settings ---
- DHCP
- Forwarding
 - Virtual Servers
 - Port Triggering
 - DMZ
 - UPnP
- Security
 - Static Routing
 - Dynamic DNS
- Maintenance ---
- System Tools

Virtual Servers

ID	Service Port	IP Address	Protocol	Enable
1	80	192.168.10.23	ALL	<input checked="" type="checkbox"/>
2	8000	192.168.10.23	ALL	<input checked="" type="checkbox"/>
3	554	192.168.10.23	ALL	<input checked="" type="checkbox"/>
4	8200	192.168.10.23	ALL	<input checked="" type="checkbox"/>
5	81	192.168.10.24	ALL	<input checked="" type="checkbox"/>
6	8001	192.168.10.24	ALL	<input checked="" type="checkbox"/>
7	555	192.168.10.24	ALL	<input checked="" type="checkbox"/>
8	8201	192.168.10.24	ALL	<input checked="" type="checkbox"/>

Common Service Port: DNS(53) Copy to ID 1

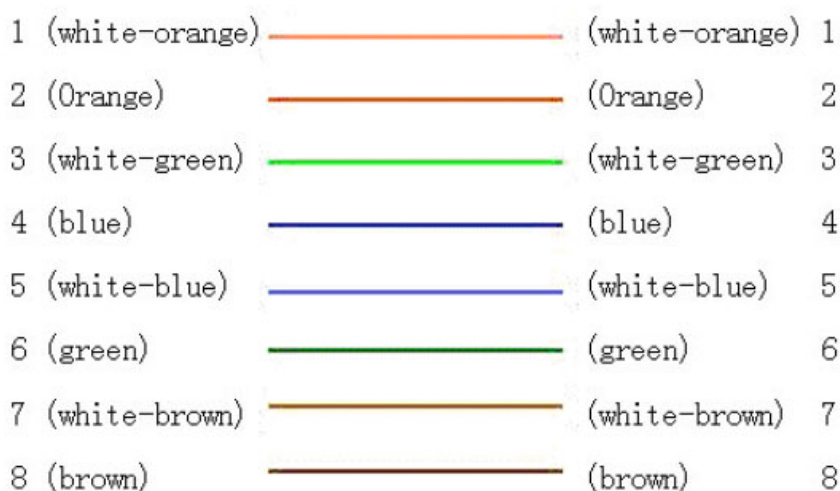
Previous Next Clear All Save

As the above mentioned setting, we map the router's port 80, 8000, 554, 8200 to the network camera 192.168.1.23; and port 81, 8001, 555, 8201 to the network camera 192.168.1.24. In this way, user can visit the 192.168.1.23 through visiting the router's port 80, 8000, 554 and 8200.

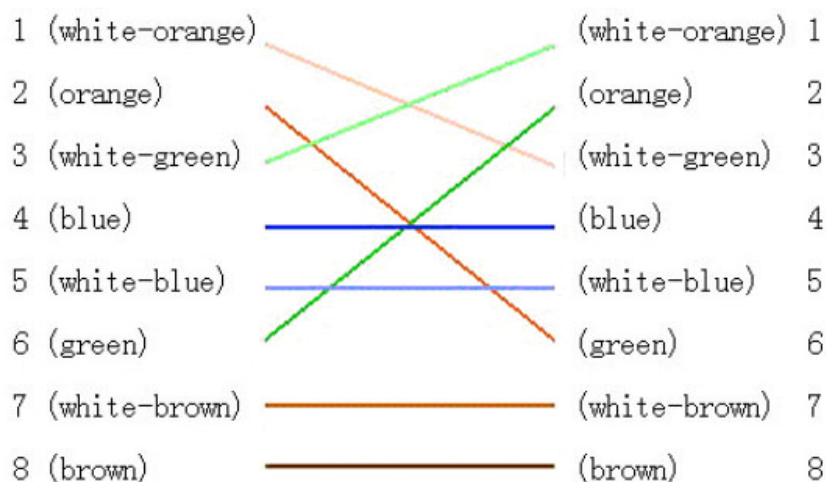
Note: The port of the network camera cannot conflict with other ports. For example, some router's web management port is 80. User can amend the router's or the camera's port to solve this problem.

Appendix 3 Pin Definition

(1)UTP between the network port of camera and HUB (Direct Cable)



(2)UTP between the network port of camera and PC (Cross Cable):



Appendix 4 Product Specification

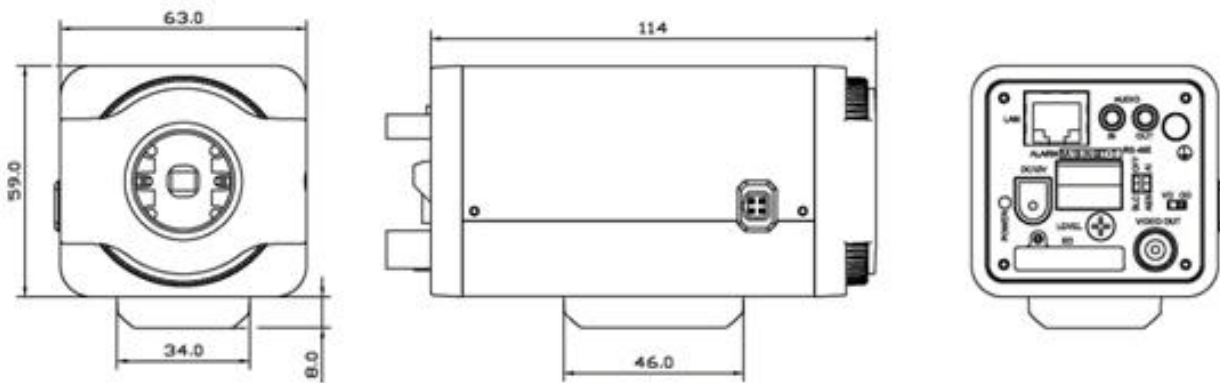
DS-2CD802/812/892/PF(NF)(-E)(-W)

Specification

Parameter \ Model	DS-2CD802PF (NF) (-E) (-W)	DS-2CD812PF (NF) (-E) (-W)	DS-2CD892PF (NF) (-E) (-W)
Camera			
Image Sensor	1/3 inch SONY Super HAD CCD		
Effective Pixels	PAL: 500 (H) × 582 (V) NTSC: 510 (H) × 492 (V)	PAL: 752 (H) × 582 (V) NTSC: 768 (H) × 494 (V)	PAL: 752 (H) × 582 (V) NTSC: 768 (H) × 494 (V)
Lens Mount	C / CS mount		
Signal System	PAL / NTSC		
Electronic shutter	1/50 (1/60)s ~ 1/100,000s		
Min. Illumination	0.1Lux @ F1.2		
Day & Night	Electronic		
Auto Iris Lens	DC / Video		
Lens	Option		
S/N Ratio	More than 48dB		
Video Output	420 TVL, 1Vpp Composite Output (75Ω / BNC)	480TVL, 1Vpp Composite Output (75Ω / BNC)	540TVL, 1Vpp Composite Output (75Ω / BNC)
Compression Standard			
Video Compression	H.264 or MPEG-4		
Video Output	32 K ~ 2M, adjustable (8Mbps maximum)		
Audio Compression	OggVorbis		
Image			
Image Resolution	PAL: 704 × 576, 528 × 384, 704 × 288, 352 × 288, 176 × 144 NTSC: 704 × 480, 528 × 320, 704 × 240, 352 × 240, 176 × 120		
Frame Rate	25 fps (704 × 576), 30fps (704 × 480)		
Function			
Motion Detect	Support		
Dual Stream	Support		
SD Card Local Recording	Support		
Heartbeat	Support		
Password Protect	Support		
Protocols	TCP / IP, HTTP, DHCP, DNS, RTP / RTCP, PPPoE (FTP, SMTP, NTP, SNMP addible) ; (-W) series support IEEE802.11g Wireless, 2.4GHz Frequency.		

Interface	
Audio Input	1 channel 3.5mm audio interface (2.0 ~ 2.4Vp-p, 1kΩ)
Audio Output	1 channel 3.5mm audio interface (line level, 600Ω)
Communication	1 RJ45 10M/100M self-adaptive Ethernet port and one RS-485 interface
Alarm Input	1 channel signal input
Alarm Output	1 channel relay output
Others	
Working Temperature	-10°C ~ 60°C
Power Supply	12VDC, ±10%, (-E) series support PoE (Power over Ethernet)
Power Consumption	4W MAX
Dimensions (mm)	63 × 59 × 114 (2.5" × 2.34" × 4.5")
Weight	650g (1.21lbs)

Dimension



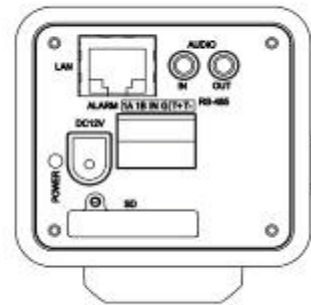
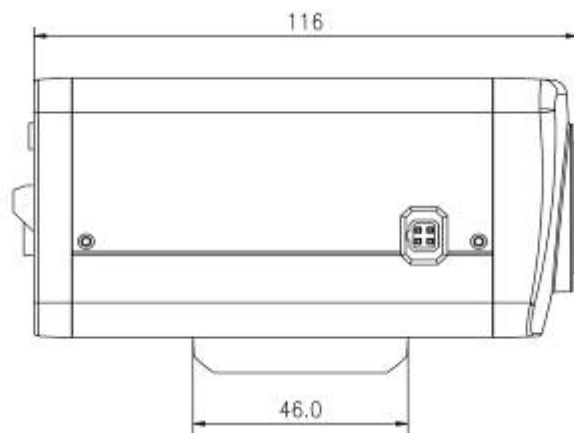
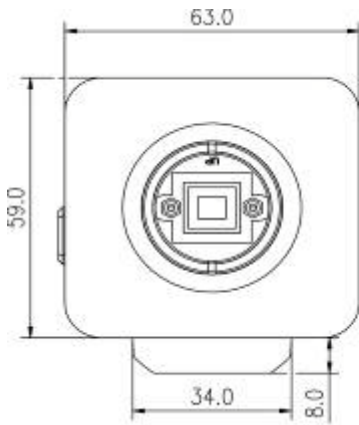
DS-2CD832F(-E)

Specification

Parameter	Model	DS-2CD832F (-E) (-W)
Camera		
Image Sensor		1/4 inch CMOS
Effective Pixels		640 (H) × 480 (V)
Lens Mount		C / CS mount
Lens		Option
Auto Iris Lens		---
Min. Illumination		0.4Lux @ F1.2
Day & Night		Electronic
Compression Standard		
Video Compression		H.264 or MPEG-4
Video Output		32 K ~ 2M, adjustable (8Mbps maximum)
Audio Compression		OggVorbis
Image		
Image Resolution		704 x 576, 640 x 480, 528 x 384, 704 x 288, 352 x 288, 176 x 144
Frame Rate		25fps (704 x 576), 30fps (704 x 480)
Functions		
Motion Detect		Support
Dual Stream		Support
Heartbeat		Support
SD Card Local Recording		Support
Password Protect		Support
Protocols		TCP / IP, HTTP, DHCP, DNS, RTP / RTCP, PPPoE (FTP, SMTP, NTP, SNMP addible);
Interface		
Audio Input		1 channel 3.5mm audio interface (2.0~2.4Vp-p, 1kΩ)
Audio Output		1 channel 3.5mm audio interface (Line level, 600Ω)
Communication		1 RJ45 10M / 100M self-adapted Ethernet port and, 1 RS-485 interface
Alarm Input		1 channel signal input (0~12VDC)
Alarm Output		1 channel signal relay output
Others		
Working Temperature		-10°C ~ 60°C
Power Supply		12VDC, ±10%, (-E) series support PoE (Power over Ethernet)
Power Consumption		3W MAX
Dimensions (mm)		63 × 59 × 116 (2.5" × 2.34" × 4.51")

Weight	650g (1.21lbs)
--------	----------------

Dimension



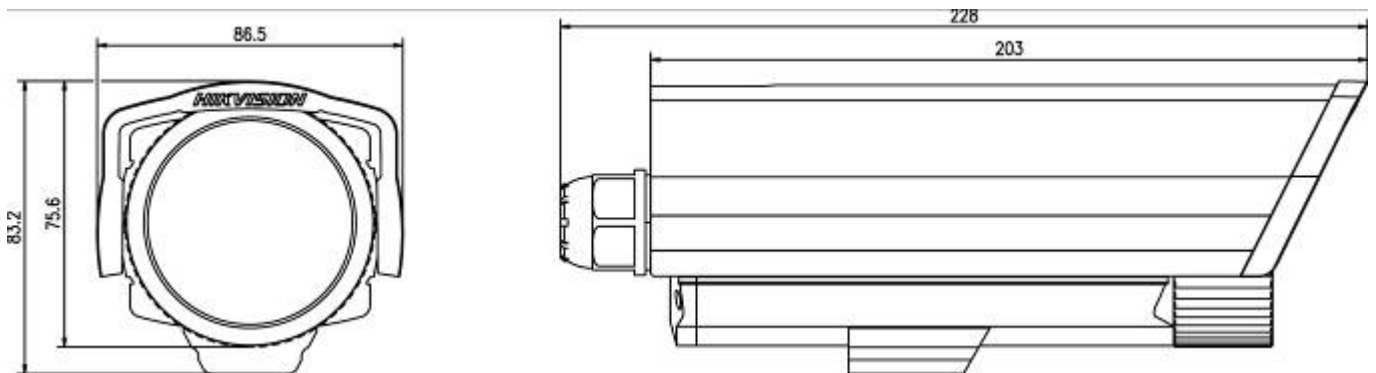
DS-2CD802/812/892P(N)-IR1(IR3)(IR5)

Specification

Parameter Model	DS-2CD802P (N)-IR1 (IR3)(IR5)	DS-2CD812P (N)-IR1 (IR3)(IR5)	DS-2CD892 P(N)-IR1 (IR3)(IR5)
Camera			
Image Sensor	1/3 inch SONY Super HAD CCD		
Effective Pixels	PAL:500(H) × 582 (V) NTSC:510 (H) × 492 (V)	PAL:752 (H) × 582 (V) NTSC:768 (H) × 494 (V)	PAL:752 (H) × 582 (V) NTSC:768 (H) × 494 (V)
Lens Mount	M12×0.5		
Signal System	PAL / NTSC		
Electronic Shutter	1/50 (1/60)S ~ 1/50~1/100,000S		
Min. Illumination	0.1Lux @ F1.2 (0 Lux With IR)		
Lens	“-IR1” series: 6mm (2.8mm, 3.6mm option) “-IR3” series: 12mm (3.6mm, 6mm, 8mm,16mm option) “-IR5” series: 16mm (3.6mm, 6mm, 8mm,12mm option)		
S/N Ratio	More than 48dB		
Video Output	420 TVL,1Vpp Composite Output (75Ω/BNC)	480TVL, 1Vpp Composite Output (75Ω/BNC)	540TVL,1Vpp Composite Output (75Ω/BNC)
Compression Standard			
Video Compression	H.264 or MPEG-4		
Video Output	32 K ~ 2M, adjustable (8Mbps maximum)		
Audio Compression	OggVorbis		
Image			
Image Resolution	PAL: 704 × 576, 528 × 384, 704 × 288, 352 × 288, 176 × 144 NTSC: 704 × 480, 528 × 320, 704 × 240, 352 × 240, 176 × 120		
Frame Rate	25 fps (704 × 576), 30fps (704 × 480)		
Function			
Motion Detect	Support		
Dual Stream	Support		
Heartbeat	Support		
Password Protect	Support		
Protocols	TCP / IP,HTTP,DHCP,DNS,RTP / RTCP, PPPoE (FTP,SMTP,NTP,SNMP addible)		
Infrared Distance	“-IR1” series: approx 10 to 20 meters; “-IR3” series: approx 30 to 40 meters “-IR5” series: approx 50 to 60 meters		
Interface			
Audio Input	1 channel (2.0 ~ 2.4Vp-p, 1kΩ)		
Audio Output	1 channel (Line level, 600Ω)		

Communication	1 RJ45 10M / 100M self-adapted Ethernet port and one RS-485 interface
Alarm Input	1 channel signal input
Alarm Output	1 channel relay output
Others	
Working Temperature	-10°C ~ 60°C
Water and Dust Resistance	IP66
Power Supply	12VDC, ±10%
Power Consumption	"-IR1" series: 5.5W MAX "-IR3" series: 7W MAX "-IR5" series: 9W MAX
Dimensions(mm)	86.5 × 83 × 228 (3.43" × 3.29" × 9.04")
Weight	1400g (3.04lbs)

Dimension



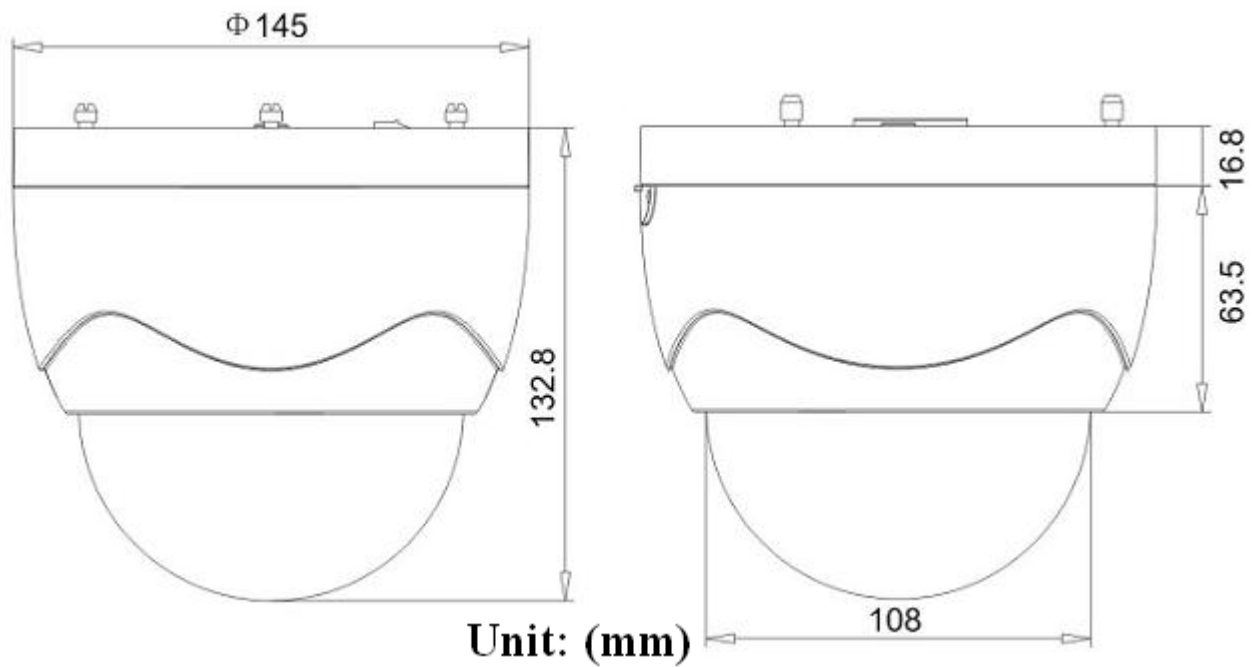
DS-2CD702/712/792PF (NF)(-E)

Specification

Parameter \ Model	DS-2CD702PF (NF) -E	DS-2CD712P F(NF) -E	DS-2CD792PF (NF) -E
Camera			
Image Sensor	1/3 inch SONY Super HAD CCD		
Effective Pixels	PAL:500 (H) × 582 (V) NTSC:510 (H) × 492 (V)	PAL:752 (H) × 582 (V) NTSC:768 (H) × 494 (V)	PAL:752 (H) × 582 (V) NTSC:768 (H) × 494 (V)
Lens	3.5 ~ 9mm @ F1.2 / Φ14 / Fixed Iris lens		
Signal System	PAL / NTSC		
Electronic Shutter	1/50 (1/60)s to 1/100,000s		
Min. Illumination	0.1Lux @ F1.2		
Day & Night	Electronic		
S/N Ratio	More than 48dB		
Video Output	420 TVL, 1Vp-p Composite Output (75Ω/BNC)	480 TVL, 1Vp-p Composite Output (75Ω/BNC)	540TVL, 1Vp-p Composite Output (75Ω/BNC)
Compression Standard			
Video Compression	H.264 or MPEG-4		
Video Output	32 K ~ 2M, adjustable (8Mbps,maximum)		
Audio Compression	OggVorbis		
Image			
Image Resolution	PAL: 704 × 576, 528 × 384, 704 × 288, 352 × 288, 176 × 144 NTSC: 704 × 480, 528 × 320, 704 × 240, 352 × 240, 176 × 120		
Frame Rate	25fps (704 × 576), 30fps (704 × 480)		
Functions			
Motion Detect	Support		
Dual Stream	Support		
SD Card Local Recording	Support		
Heartbeat	Support		
Password Protect	Support		
Protocols	TCP / IP, HTTP, DHCP, DNS, RTP / RTCP, PPPoE (FTP,SMTP,NTP,SNMP addible)		
Adjustment Range	355° Pan 90° Tilt		
Interface			
Audio Input	1channel (2.0 ~ 2.4Vp-p, 1kΩ)		
Audio Output	1 channel (Line level, 600Ω)		

Communication	1 RJ45 10M / 100M self-adapted Ethernet port and 1 RS-485 interface
Alarm Input	1 channel signal input
Alarm Output	1 channel relay output
Others	
Working Temperature	-10°C ~ 60°C
Power Supply	12VDC, ±10%, (-E) series support PoE (Power over Ethernet)
Power Consumption	4W MAX
Dimensions (mm)	φ145 × 132.8 (φ5.75" × 5.26")
Weight	900g (1.98lbs)

Dimension

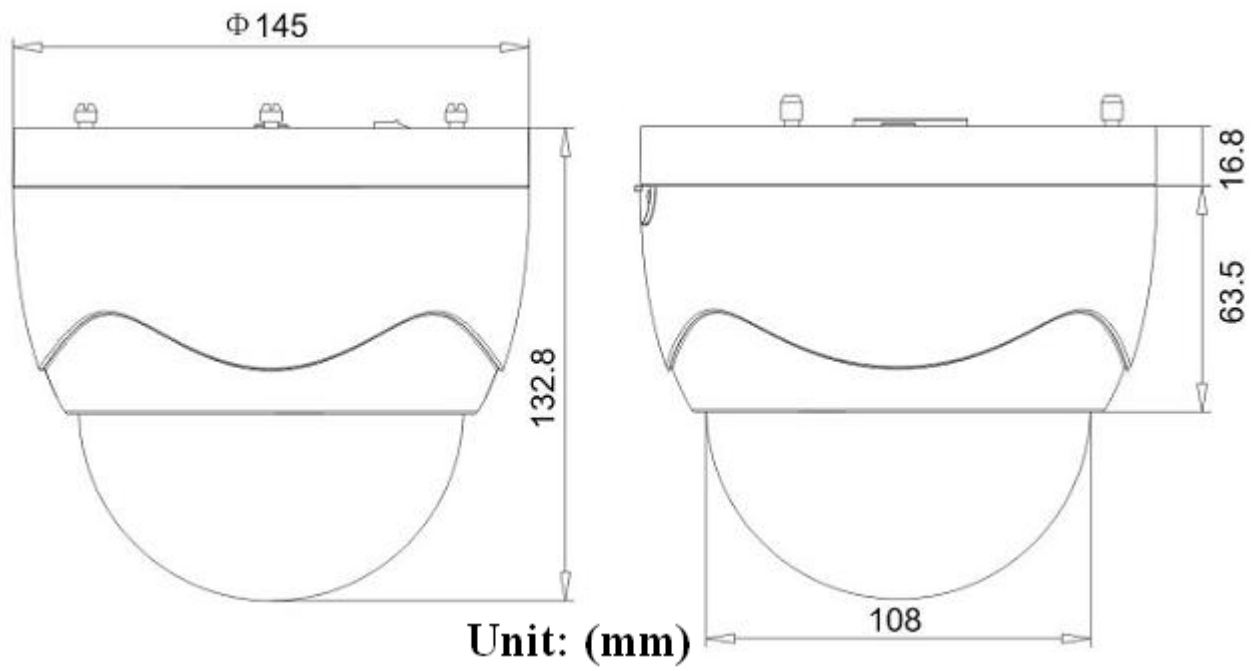


DS-2CD732F(-E)

Specification

Parameter	Model	DS-2CD732F-E
Camera		
Image Sensor		1/4 inch CMOS
Effective Pixels		640 (H) × 480 (V)
Lens		3.5-8mm @ F1.6 / M12 / manual Iris lens
Min. Illumination		0.4Lux @ F1.2
Video Output		1.0Vp-p Composite Output (75Ω/BNC)
Day&Night		Electronic
Compression Standard		
Video Compression		H.264 or MPEG-4
Video Output		32 K ~ 2M, adjustable (8Mbps maximum)
Audio Compression		OggVorbis
Image		
Image Resolution		704 × 576, 640 × 480, 528 × 384, 704 × 288, 352 × 288, 176 × 144
Frame Rate		25fps (704 × 576)
Functions		
Motion Detect		Support
Dual Stream		Support
SD Card Local Recording		Support
Heartbeat		Support
Password Protect		Support
Protocols		TCP / IP, HTTP, DHCP, DNS, RTP / RTCP, PPPoE (FTP, SMTP, NTP, SNMP addible).
Interface		
Audio Input		1 channel (2.0 ~ 2.4Vp-p,1kΩ)
Audio Output		1 channel (Line level, 600Ω)
Communication		1 RJ45 10M / 100M self-adaptive Ethernet port and 1 RS-485 interface
Alarm Input		1 channel signal input
Alarm Output		1 channel signal relay output
Others		
Working Temperature		-10℃ ~ 60℃
Power Supply		12VDC, ±10%, (-E) series support PoE (Power over Ethernet)
Power Consumption		3W MAX
Dimensions (mm)		φ145 × 132.8 (φ5.75" × 5.26")
Weight		900g (1.98lbs)

Dimension



First Choice for Security Professionals